

- Compact design, Ø 58 mm
- Through hollow shaft encoder
- Resolution up to 5000 pulses/rev.
- Feedback encoder for DC / AC motors
- C58A: fixing collar on front side
- C58R: fixing collar on back side



C58R • C58A



ENVIRONMENTAL SPECIFICATIONS

Shock:	250 g, 6 ms acc. to CEI EN 60068-2-27
Vibrations:	10 g, 5-2000 Hz acc. to CEI EN 60068-2-6
Protection:	IP64
Operating temperature range:	-25°C +85°C (-13°F +185°F)
Storage temperature range:	-25°C +85°C (-13°F +185°F) (98% R.H. without condensation)
Option:	<ul style="list-style-type: none"> • Operating temperature range: -40°C +100°C (-40°F +212°F) • IP65 Protection (3000 rpm max, torque 1 Ncm)

MECHANICAL SPECIFICATIONS

Dimensions:	see drawing
Hollow shaft diameter:	Ø 14, 15 mm
Shaft loading (axial, radial):	30 N max.
Shaft rotational speed:	6000 rpm max.
Starting torque at 20°C:	1 Ncm (typical)
Bearings life:	400 x 10 ⁶ rev. min. (10 ⁹ rev. min. with 20 N shaft loading max.)
Electrical connections:	M12, M23 plug or cable output 1 m (3.3 ft)
Weight:	~ 150 g (5,2 oz)
Option:	• additional cable

ELECTRICAL SPECIFICATIONS

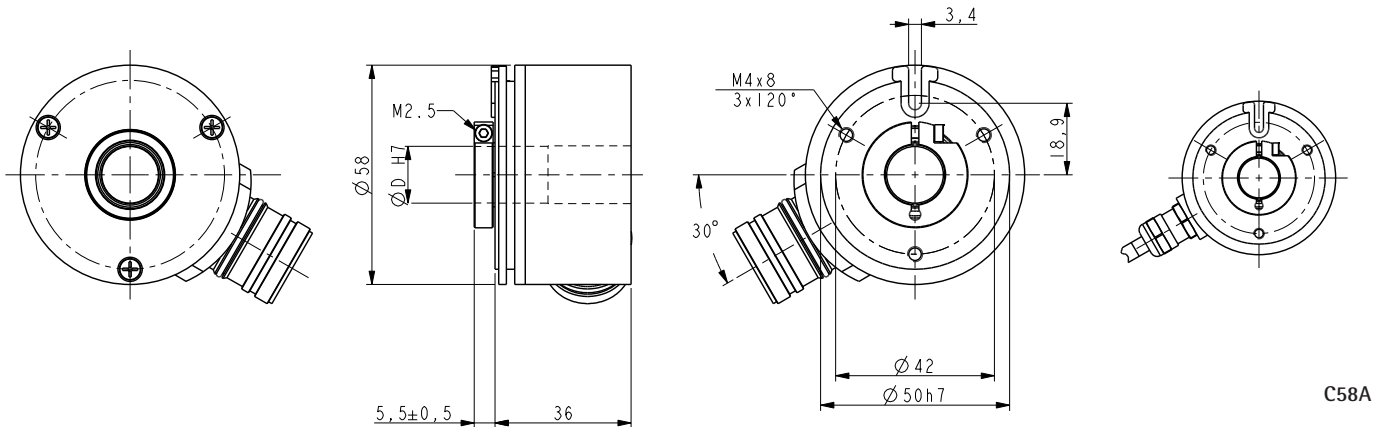
Resolution (PPR):	50, 100, 200, 250, 300, 360, 400, 500, 512, 600, 720, 900, 1000, 1024 1200, 1250, 1440, 1800, 2000, 2048, 2500, 3600, 4096, 5000
Counting frequency:	150 kHz max.
Output circuits:	Push-Pull, Line Driver, Universal circuit
Power supply:	+5V±5%, +10V +30V, +5V +30V
Consumption:	70 mA (typical)
Output current (each channel):	40 mA max.
Protection:	against inversion of polarity and short-circuit
EMC:	electro-magnetic immunity, according to: EN 61000-4-2 EN 61000-4-4

MATERIALS

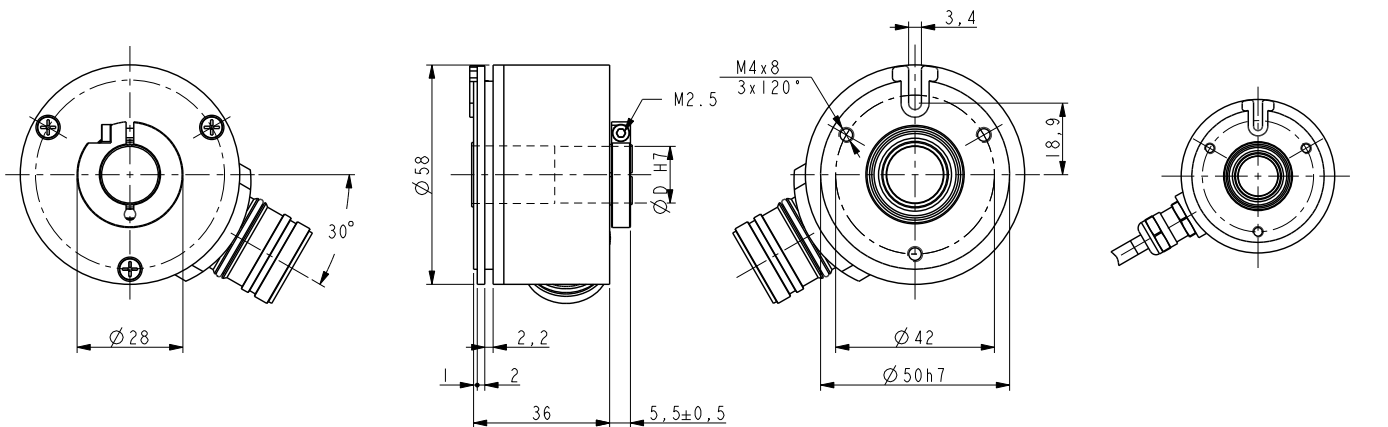
Flange:	anticorrosive, UNI EN AW-6082
Housing:	zamac die cast
Bearings:	ABEC 5
Shaft:	stainless steel, non-magnetic - UNI EN 4305

ACCESSORIES

E-M12F8:	M12 8 pin mating connector
EC-M12F8-LK-M8-L050:	cordset 5 m with M12 connector
EC-M12F8-LK-M8-L100:	cordset 10 m with M12 connector
EPFL 121:	12 pin M23 mating connector
EC-C12F-LK-I8-L050:	cordset 5 meters, M23 connector
EC-C12F-LK-I8-L100:	cordset 10 meters, M23 connector
EDE 9S:	9 pin DSub mating connector
BR1-xx:	Reducing sleeves



C58A



C58R

Order code

C58A	-	XX	-	XXXX	-	XXX	-	XX	-	X	X	-	X	XXXX	/Sxxx
C58R		(a)		(b)		(c)		(d)		(e)	(f)		(g)	(h)	(i)

(a) OUTPUT CIRCUITS / POWER SUPPLY

Y2 = Push Pull, +10V ÷ +30V
 L1 = Line Driver (RS422), +5V ± 5%
 H4 = PP/LD universal circuit, +5V ÷ +30V
 L2 = Line Driver (RS422), +10V ÷ +30V

(b) RESOLUTION (PPR)

See electrical specifications

(c) OUTPUT SIGNALS / CONNECTIONS

BNF = AB cable output
 BCU = AB, /AB cable output
 ZNF = ABO cable output
 ZCU = ABO, /ABO cable output
 BCZ = AB /AB, M23 12 pin plug
 ZCZ = ABO /ABO, M23 12 pin plug
 ZCM = ABO /ABO, M12 8 pin plug

(d) SHAFT DIAMETER

14 = 14 mm
 15 = 15 mm

(e) PROTECTION

S = IP64 (standard)
 P = IP65

(f) OPERATING TEMPERATURE

T = -25°C +85°C (-13°F +185°F (standard)
 K = -40°C +100°C (-40°F +212°F)

(g) CONNECTION POSITION

R = radial

(h) CABLE LENGTH

(not with BCZ, ZCZ, ZCM)
 L010 = cable output 1 m (standard)
 L020 = cable output 2 m
 Lxx0 = cable output x m
 (max. length 10 m)
 Cxx0 = x m cable with DSub 9 pin
 inline plug

(i) CUSTOM VERSION

Document release	Date	Description
1.0	October 2024	New order code