



- Robust and space saving construction
- Integrated incremental encoder
- Measuring length up to 2000 mm



SFES1

ENVIRONMENTAL SPECIFICATIONS

Operating temperature range:	-25°C + 85°C (-13°F + 185°F)
Protection:	IP64

MECHANICAL SPECIFICATIONS

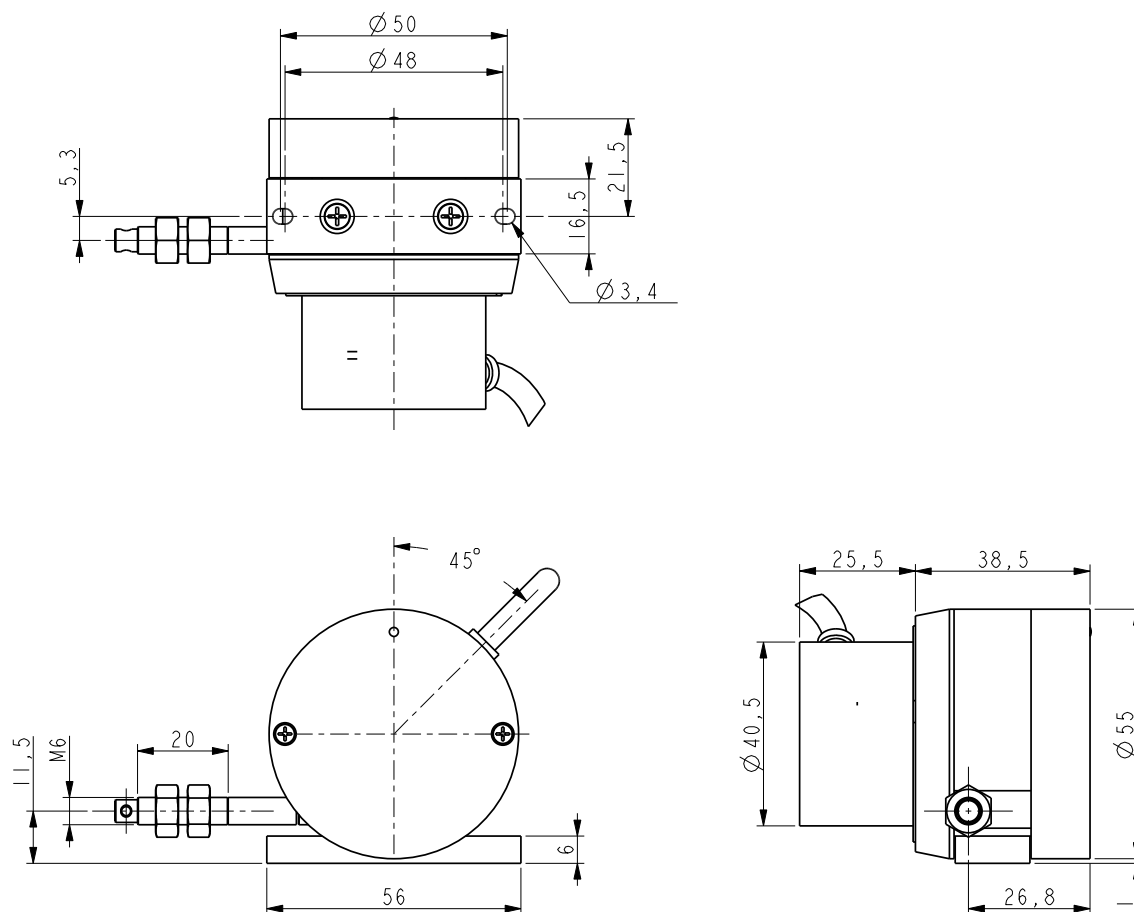
Dimensions:	see drawing
Stroke per turn:	100 mm
Wire retraction force:	3 ÷ 5 N
Measuring length:	1500, 2000 mm
Linearity:	± 0,3 mm
Measuring speed:	1 m/sec max.
Weight:	~ 0,2 kg
Connections:	cabl e 2,0 m

ELECTRICAL SPECIFICATIONS

Power supply:	+5Vdc +30Vdc
Output circuit:	Universal circuit PP/LD
Resolution:	1 / 0,5 / 0,4 / 0,05 mm
Output current:	40 mA max.
Input current:	60 mA max.
Output signals:	AB, /AB

MATERIALS

Housing:	Aluminium + plastic
Wire:	stainless steel, non magnetic - UNI EN 4305



SFES1

Order code

SFES1	-	XXXXX	-	XX	-	XXXXX	-	X	-	XXXX	/Sxxx
		Ⓐ		Ⓑ		Ⓒ		Ⓓ		Ⓔ	Ⓕ

Ⓐ MEASURING LENGTH

01500 = 1500 mm
02000 = 2000 mm

Ⓑ OUTPUT CIRCUIT / POWER SUPPLY

H4 = PP/LD universal circuit, +5Vdc +30Vdc

Ⓒ RESOLUTION

00100 = 1 mm (x4 = 0,25 mm)
00200 = 0,5 mm (x4 = 0,125 mm)
00250 = 0,4 mm (x4 = 0,1 mm)
00500 = 0,2 mm (x4 = 0,05 mm)

Ⓓ CONNECTION POSITION

R = radial

Ⓔ CABLE TYPE & LENGTH

L020 = cable output 2 m
L040 = cable output 4 m
Lxx0 = cable output x m (max. length 10 m)

Ⓕ CUSTOM VERSION

Document release	Date	Description
1.1	17.02.2025	Mechanical specifications update (Linearity)
1.0	September 2023	New order code