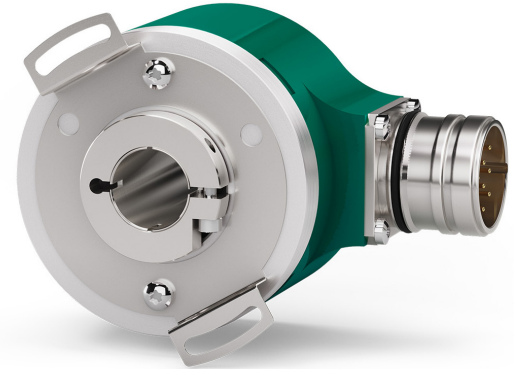




- Absolute multiturn encoder with BiSS-C & SSI interface
- Optical singleturn sensing up to 25 bit (33554432 cpr)
- Multiturn with Energy Harvesting technology
- Additional incremental track 1024 PPR
- Cable output, M12 or M23 connections



EHCT59

### ENVIRONMENTAL SPECIFICATIONS

Shock:	250 g, 6 ms acc. to CEI EN 60068-2-27
Vibrations:	10 g, 5-2000 Hz acc. to CEI EN 60068-2-6
Protection:	IP65
Operating temperature range:	-25°C +85°C (-13°F +185°F)
Storage temperature range:	-40°C +100°C (-40°F +212°F) (98% R.H.without condensation)

### MECHANICAL SPECIFICATIONS

Dimensions:	see drawing
Hollow shaft diameter:	Ø 14, 15 mm
Reducing sleeves BR1-xx from Ø 15 mm to:	Ø 6, 8, 9.52, 10, 11, 12 mm
Shaft loading (axial, radial):	20 N max.
Shaft rotational speed:	6000 rpm
Starting torque (at 20°C):	1 Ncm
Electrical connections:	M12, M23 plug or cable output 1 m (3.3 ft)
Weight:	~ 210 g (7,4 oz)
Option:	• additional cable

### ELECTRICAL SPECIFICATIONS

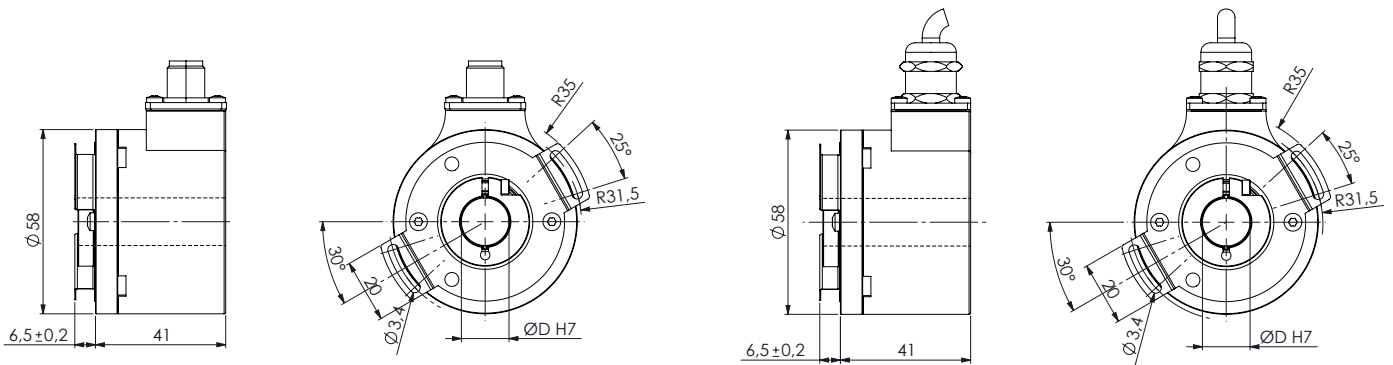
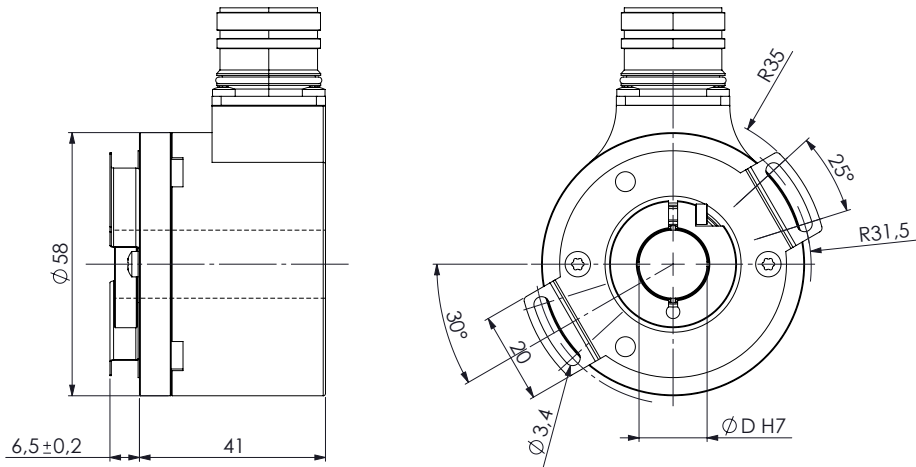
Resolution:	singleturn up to 25 bit (33554432 cpr) multiturn up to 15 bit (32768 turns)
Accuracy:	± 0,01°
Output circuits:	SSI (RS422), clock rate < 4 MHz - Data refresh rate 8 µec. BiSS-C, clock rate < 10 MHz - Costant processing time (t <sub>busy</sub> = 8 µec.) AB Push-Pull/Line Driver 1024 PPR
Output code:	Gray, Binary
Power supply:	+5Vdc +30Vdc
Power consumption:	0,5 W
Protection:	against inversion of polarity and short-circuit
EMC:	electro-magnetic immunity, according to EN 61000-4-2 EN 61000-4-4
Functions:	• Counting direction (input) • Zero setting/Preset (input)

### MATERIALS

Flange:	anticorodal, UNI EN AW-6082
Housing:	zamac die cast
Bearings:	ABEC 5
Shaft:	stainless steel, non magnetic, UNI EN 4305

### ACCESSORIES

BR1:	reducing sleeves
EM12F8:	M12 8 pin mating connector
EC-M12F8-LK-M8-L050:	cordset with 5 m cable
EC-M12F8-LK-M8-L100:	cordset with 10 m cable
EC-M12F8-LK-M8-L150:	cordset with 15 m cable
EC-M12F8-LK-M8-L200:	cordset with 20 m cable
EPFL121H:	M23 12 pin mating connector
EC-CR12F-S28-T12-L100:	cordset with 10 m cable
EC-CR12F-S28-T12-L200:	cordset with 20 m cable



EHCT59

Order code

EHCT59	-	XX-XX	-	XXX	-	XX	-	X	X	-	X	XXXX	/Sxxx
		(a)		(b)		(c)		(d)	(e)		(f)	(g)	(h)

<p><b>(a) RESOLUTION (BIT SINGLETURN-BIT MULTITURN)</b>          25-00 = 33554432 counts/rev. (singleturn)          17-15 = 131072 counts/rev. x 32768 rev.          18-14 = 262144 counts/rev. x 16384 rev.          20-12 = 1048576 counts/rev. x 4096 rev.</p> <p><b>(b) INTERFACE / POWER SUPPLY</b>          BG4 = SSI, Binary MSB aligned, +5Vdc+30Vdc          GG4 = SSI, Gray MSB aligned, + 5Vdc+30Vdc          SC4 = BiSS-C, +5Vdc+30Vdc          G54 = SSI, Gray MSB aligned, 1024 PPR Push-Pull, 5+30Vdc          G04 = SSI, Gray MSB aligned, 1024 PPR Line Driver, 5+30Vdc</p>	<p><b>(c) SHAFT DIAMETER</b>          14 = 14 mm          15 = 15 mm</p> <p><b>(d) PROTECTION</b>          P = IP65</p> <p><b>(e) OPERATING TEMPERATURE RANGE</b>          T = -25°C +85°C (-13°F +185°F)</p>	<p><b>(f) CONNECTION POSITION</b>          R = radial</p> <p><b>(g) CONNECTION TYPE &amp; CABLE LENGTH</b>          L010 = cable output 1 m (standard)          Lxx0 = cable output x m (max. length 10 m)          L100 = cable output 10 m          M2 = M23 12 pin plug          M8 = M12 8 pin plug          M1 = M12 12 pin plug</p>
		<b>(h) CUSTOM VERSION</b>

Document release	Date	Description
1.0	September 2024	First issue