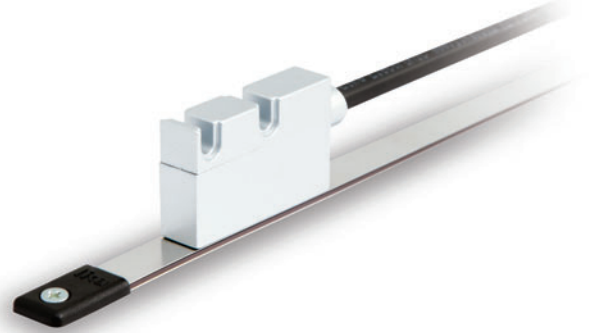




- Robust linear encoder for position measurement
- Large mounting tolerance with gap clearance up to 4.0 mm
- IP67 protection
- Resolution up to 0.01 mm
- Special resolutions possible



SMK

ENVIRONMENTAL SPECIFICATIONS

Shock:	250 g, 6 ms acc. to CEI EN 60068-2-27
Vibrations:	10 g, 5-2000 Hz acc. to CEI EN 60068-2-6
Protection:	IP67
Operating temperature range:	-25°C ÷ +85°C (-13°F +185°F)
Storage temperature range:	-40°C ÷ +100°C (-40°F +212°F)

MECHANICAL SPECIFICATIONS

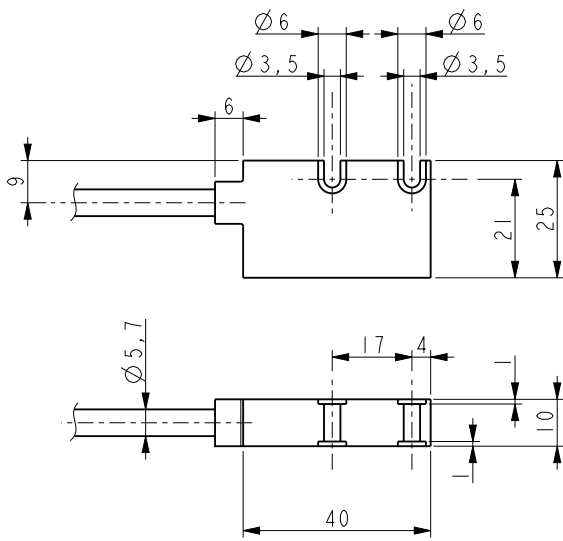
Dimensions:	see drawing
Housing material:	die cast aluminium, UNI EN AC-46100
Electrical connections:	Lika Hi-flex cable M8 2,0 m or M12 8 pin inline plug
Gap between sensor/tape (without cover strip):	0,1 ÷ 4,0 mm
Travel speed (mechanical):	max 2,5 m/s
Measurement length:	Tape length -5 mm each side

ELECTRICAL SPECIFICATIONS

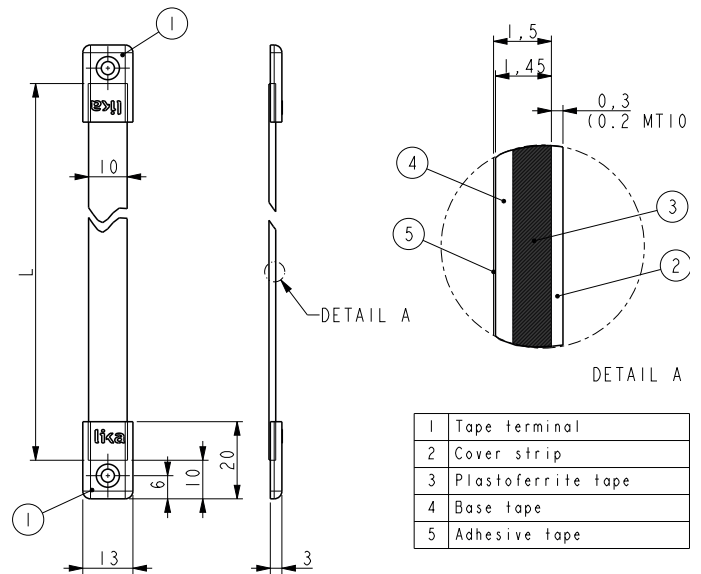
Resolution:	1 / 0,5 / 0,1 / 0,05 / 0,025 / 0,01 mm
Sensor accuracy:	±25 µm max.
Repeat accuracy:	±1 increment
Output circuits:	Line Driver, Push-Pull
Output signals:	AB0 /AB0
Counting frequency:	20 kHz max.
Power supply:	+5Vdc ±5%, +10Vdc ÷ +30Vdc
Power consumption:	70 mA max.
Protection:	against inversion of polarity (except 5Vdc version) and short-circuit
EMC:	acc. to EN 61000-6-2 level 3

ACCESSORIES

MT50:	Magnetic tape
KIT PS1-1,0:	Protection profile (10 pcs)
KIT LKM-1440:	Set of tape terminals (10 pcs)
E-M12F8:	M12 8 pin mating connector
EC-M12F8-LK-M8-5:	cordset 5 meters with M12 conn.
EC-M12F8-LK-M8-10:	cordset 10 meters with M12 conn.



SMK



MT50

1	Tape terminal
2	Cover strip
3	Plastoferrite tape
4	Base tape
5	Adhesive tape

Order code - Sensor

SMK	-	XX ⓐ	-	X ⓑ	-	XXXX ⓒ	-	X ⓓ	-	XX ⓔ	-	/Sxxx ⓕ
-----	---	---------	---	--------	---	-----------	---	--------	---	---------	---	------------

ⓐ OUTPUT CIRCUITS

Y = Push-Pull (AB)
 YC = Push-Pull (AB, /AB)
 L = Line Driver (AB, /AB)

ⓑ POWER SUPPLY

1 = +5Vdc ±5% (L output circuit)
 2 = +10Vdc ÷ +30Vdc (Y and YC output circuit)

ⓒ RESOLUTION

1000 = 1 mm
 500 = 0,5 mm
 100 = 0,1 mm
 50 = 0,05 mm
 25 = 0,025 mm
 10 = 0,01 mm

ⓓ INDEX

N = without
 I = every 5 mm

ⓔ CONNECTIONS

L2 = cable output 2 m
 Lx = cable output x m
 M0,5 = 0,5 m cable + M12 inline plug
 M2 = 2 m cable + M12 inline plug

ⓕ CUSTOM VERSION

Order code - Magnetic tape

MT50	-	XXX ⓐ	-	XXX ⓑ	-	X ⓒ	-	/Sxxx ⓓ
------	---	----------	---	----------	---	--------	---	------------

ⓐ LENGTH

1 = 1,0 m 20 = 20,0 m
 2 = 2,0 m 30 = 30,0 m
 4 = 4,0 m 50 = 50,0 m
 10 = 10,0 m 100 = 100,0 m

ⓑ ACCURACY CLASS

100 = ±85 µm/m

ⓒ COVER STRIP

0 = not supplied
 1 = supplied

ⓓ CUSTOM VERSION