

ROTACOD

Absolute single turn encoder for motor feedback

Series

ASB62



- High resolution absolute encoder for motor feedback
- Additional incremental track
- Tapered shaft design
- SSI or BiSS output
- Resolution 21 bit



ASB62

ENVIRONMENTAL SPECIFICATIONS

Shock:	250 g, 6 ms acc. to CEI EN 60068-2-27
Vibrations:	10 g, 5-2000 Hz acc. to CEI EN 60068-2-6
Protection:	IP40
Operating temperature range:	-20°C+100°C (-4°F +212°F)
Storage temperature range:	-40°C+100°C (-40°F +212°F) (98% R.H. without condensation)

MECHANICAL SPECIFICATIONS

Dimensions:	see drawing
Shaft diameter:	solid, 1:10 taper
Shaft loading (axial, radial):	40 N max.
Shaft rotational speed:	6000 rpm max.
Starting torque at 20°C:	0,15 Ncm (typical)
Bearings life:	10 ⁹ rev. min.
Electrical connections:	PCB connector (connection cable to be ordered separately)
Weight:	~ 200 g (7 oz)

ELECTRICAL SPECIFICATIONS

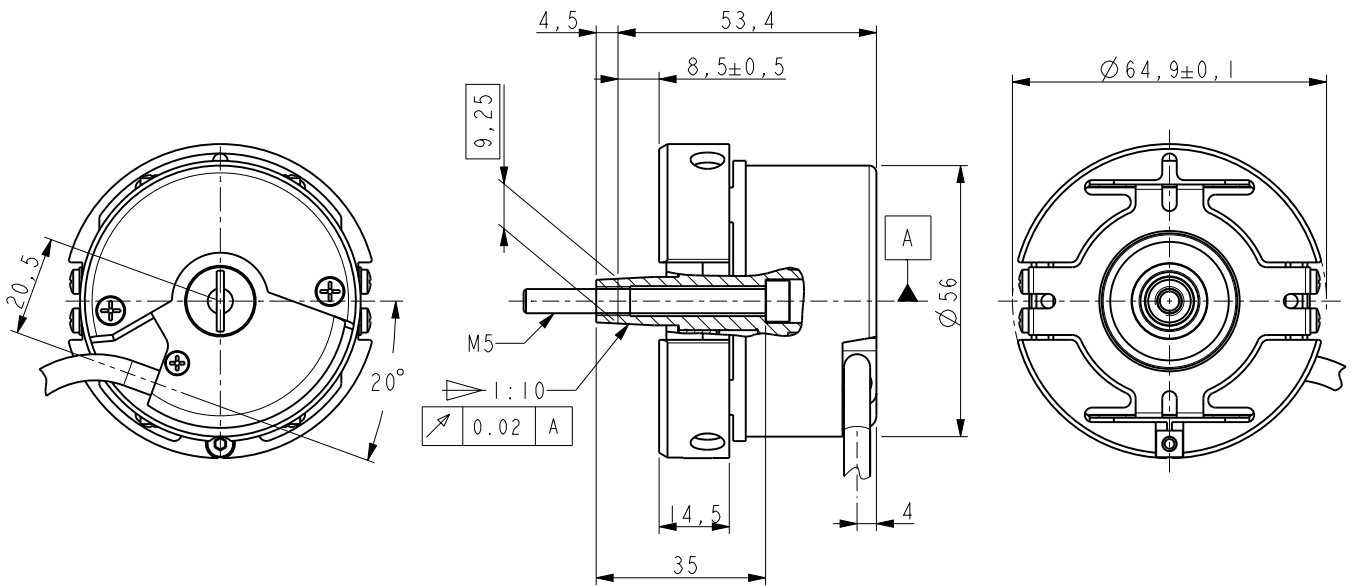
Resolution (PPR):	SSI, BiSS: 2097152 cpr (21 bit) MSB aligned 2048 PPR sin/cos
Counting frequency:	> 100 kHz max.
Output circuits:	SSI (RS422), clock rate < 4 MHz BiSS-C, clock rate < 10 MHz
Output code:	Gray
Power supply:	+5Vdc ±5%, +10Vdc +30Vdc
Consumption:	130 mA max.
Output current (each channel):	0,5 W
EMC:	electro-magnetic immunity, according to: EN 61000-4-2 EN 61000-4-4
Functions:	<ul style="list-style-type: none">• Counting direction (input)• Zero setting/Preset (input)

MATERIALS

Flange:	aluminium, anticorrosive, UNI EN AW-6082
Housing:	aluminium, anticorrosive, UNI EN AW-6082
Bearings:	ABEC 5
Shaft:	stainless steel, non-magnetic - UNI EN 4305

ACCESSORIES

EC-ASB62-1:	Connection cable 1 m
EC-ASB62-4:	Connection cable 4 m
EC-ASB62-7:	Connection cable 7 m



ASB62

Order code

ASB62	XX Ⓐ	XXX Ⓑ	-	X Ⓒ	-	/Sxxx Ⓓ
-------	---------	----------	---	--------	---	------------

Accessories order code

EC	-	ASB62	-	X
----	---	-------	---	---

Ⓐ RESOLUTIONS

21 = 2097152 cpr

Ⓑ OUTPUT CIRCUITS

SC1 = BiSS C-mode + 2048 PPR sin/cos +5Vdc ±5%
 SC2 = BiSS C-mode + 2048 PPR sin/cos +10Vdc +30Vdc
 GG1 = SSI, MSB aligned, Gray + 2048 PPR sin/cos +5Vdc ±5%
 GG2 = SSI, MSB aligned, Gray + 2048 PPR sin/cos +10Vdc +30Vdc

Ⓒ SHAFT DIAMETER

C10 = 1:10 taper

Ⓓ CUSTOM VERSION

EC-ASB62-1 = Connection cable 1 m
 EC-ASB62-4 = Connection cable 4 m
 EC-ASB62-7 = Connection cable 7 m