

# ROTAPULS

Incremental encoders

Series

CK58 • CK59 • CK60



- Standard encoder for heavy industrial applications
- Blind hollow shaft up to  $\varnothing$  15 mm
- Connector or cable output
- ABO or sine/cosine signals



CK60 • CK58 • CK59

## ENVIRONMENTAL SPECIFICATIONS

Shock:	100 g, 6 ms
Vibrations:	10 g, 5-2000 Hz
Protection:	IP64
Operating temperature range:	-25°C +85°C (-13°F +185°F)
Storage temperature range:	-25°C +85°C (-13°F +185°F) (98% R.H. without condensation)
Options:	<ul style="list-style-type: none"> <li>• Operating temperature range: -40°C +100°C (-40°F +212°F)</li> <li>• IP65 Protection (typ. 3000 rpm / 6000 temporary)</li> </ul>

## MECHANICAL SPECIFICATIONS

Dimensions:	see drawing
Hollow shaft diameter:	14, 15 mm
Reducing sleeves from $\varnothing$ 15 mm to:	$\varnothing$ 6, 8, 9,52, 10, 11, 12 mm
Shaft loading (axial, radial):	50 N max.
Shaft rotational speed:	typ. 6000 rpm / 12000 temporary
Starting torque (at 20°C):	0,4 Ncm (typical)
Bearings life:	400 x 10 <sup>6</sup> rev. min. (10 <sup>9</sup> rev. min. with 20 N shaft loading max.)
Electrical connections:	M12, M23 plug or cable output 1 m (3.3 ft)
Weight:	~ 200 g (7 oz)
Options:	<ul style="list-style-type: none"> <li>• additional cable</li> <li>• DSub 9 pin inline plug</li> </ul>

## ELECTRICAL SPECIFICATIONS

Resolution (PPR): (output circuit N, P, Y, L, H)	4-5-6-8-10-12-15-16-20-24-25-30-36-40-50-60-80-100 120-125-127-150-160-200-216-230-240-250-254-256 300-314-360-375-400-471-500-512-600-720-750-900 1000-1024-1068-1200-1250-1270-1400-1440-1500-1800 2000-2048-2250-2400-2500-3000-3600-4000-4096-5000 6000-8192-9000-10000
Resolution (PPR): (output circuit V)	500-512-1000-1024-1250-2000-2048-2500
Counting frequency:	100 kHz max.
Output circuits:	NPN, PNP, Push-Pull, Line Driver, Universal circuit, Sine/cosine
Power supply:	+5V $\pm$ 5%, +10V +30V, +5V +30V (sine/cosine only +5V $\pm$ 5%)
Consumption:	70 mA (typical)
Output current (each channel):	40 mA max.
Protection:	against inversion of polarity and short-circuit (except L and V circuit)
EMC:	electro-magnetic immunity, according to: EN 61000-4-2 EN 61000-4-4
Optoelectronic life:	100.000 hrs min.
Option:	<ul style="list-style-type: none"> <li>• Counting frequency up to 300 kHz</li> <li>• Line Driver 24/5V</li> </ul>

## MATERIALS

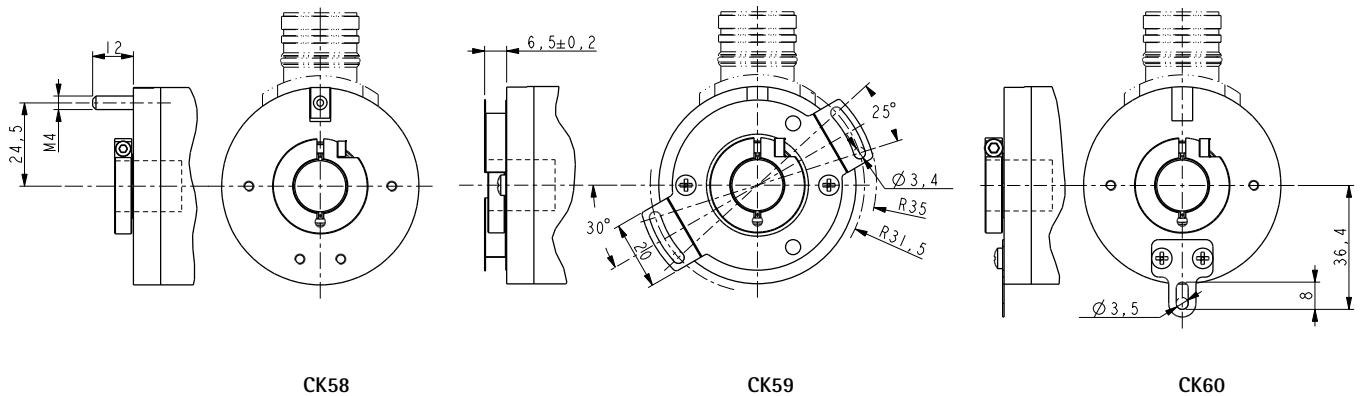
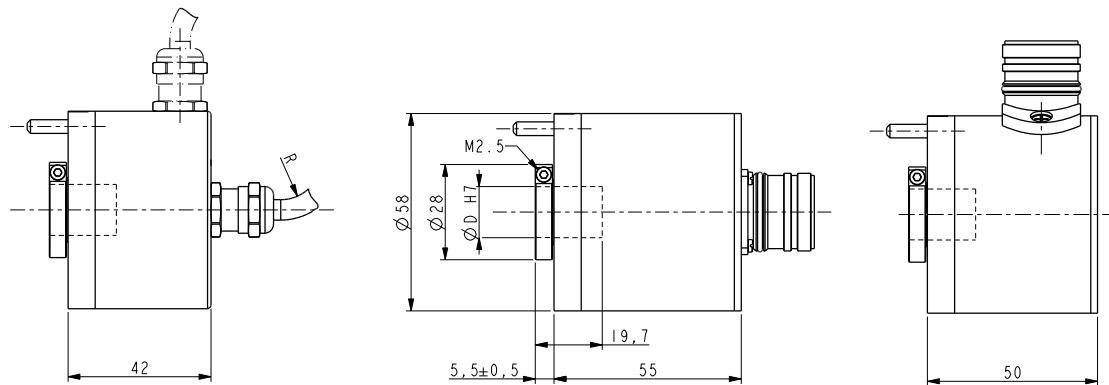
Flange:	anticorrosive, UNI EN AW-6082
Housing:	anticorrosive, UNI EN AW-6082
Bearings:	ABEC 5
Shaft:	stainless steel, non-magnetic - UNI EN 4305
Light source:	GaAl diodes

## PREFERENTIAL MODELS

CK58-H-500ZCU415R	500 PPR, HTL/TTL output
CK58-H-1000ZCU415R	1000 PPR, HTL/TTL output
CK58-H-1024ZCU415R	1024 PPR, HTL/TTL output
CK58-H-2048ZCU415R	2048 PPR, HTL/TTL output

## ACCESSORIES

EPFL 121:	12 pin M23 mating connector
EC-C12F-LK-l8-x:	cordset x meter with M23 conn.
EC-M12F8-LK-M8-5:	cordset 5 meters with M12 conn.
EDE9S:	9 pin DSub mating connector
BR1:	Reducing sleeves



CK58

CK59

CK60

Order code

CK58	-	X	-	XXXXX	XXX	X	XX	X	X	X	X	XX	/Sxxx
CK59		(a)		(b)	(c)	(d)	(e)	(f)	(g)	(h)	(i)	(j)	(k)
CK60													

<p><b>(a) OUTPUT CIRCUITS</b>                  N = NPN o.c.                  P = PNP o.c.                  Y = Push Pull                  L = Line Driver (RS422)                  H = PP/LD universal circuit                  V = 1 Vpp sine/cosine</p>	<p><b>(c) OUTPUT SIGNALS / CONNECTIONS</b>                  BNF = AB, cable output (except V output)                  ZNF = ABO, cable output (except V output)                  BCU = AB /AB, cable output                  ZCU = ABO /ABO, cable output                  BCZ = AB /AB, M23 12 pin plug                  ZCZ = ABO /ABO, M23 12 pin plug                  ZCM = ABO /ABO, M12 8 pin plug</p>	<p><b>(e) SHAFT DIAMETER</b>                  14 = 14 mm                  15 = 15 mm</p>	<p><b>(h) COUNTING FREQUENCY</b>                  - = 100 kHz (standard)                  W = 300 kHz</p>
<p><b>(b) RESOLUTION (PPR)</b>                  See electrical specifications</p>	<p><b>(d) SUPPLY VOLTAGE</b>                  1 = +5V±5% (L, V output circuit)                  2 = +10V÷ +30V (N, P, Y output circuit)                  4 = +5V÷ +30V (H output circuit)</p>	<p><b>(f) CONNECTION POSITION</b>                  - = axial                  R = radial</p>	<p><b>(i) OPERATING TEMPERATURE</b>                  - = -25°C +85°C (-13°F +185°F) standard                  K = -40°C +100°C (-40°F +212°F)</p>
		<p><b>(g) PROTECTION</b>                  - = IP64 (standard)                  P = IP65</p>	<p><b>(j) CABLE LENGTH</b>                  - = cable output 1 m (standard)                  L2 = cable output 2 m                  Lx = cable output x m                  CLx = x m cable with DSub 9 pin inline plug</p>
			<p><b>(k) CUSTOM VERSION</b></p>