

ROTACOD

ATEX absolute multi-turn encoder

Series

XAC77



- Absolute single & multiturn encoders
- ATEX II 2G Ex d IIC T6 Gb, II 2D Ex tb IIIC T85°C Db certification
- Installation in zones 1, 2, 21 and 22
- Point-to-point fieldbus communication
- SSI or Bit parallel output
- Fully programmable analogue output (V/I)



XAC77

ENVIRONMENTAL SPECIFICATIONS	
Shock:	100 g, 6 ms
Vibrations:	10 g, 10-2000 Hz
Protection:	IP65
Environmental temperature max.:	40°C max.
Encoder operating temperature range:	-25°C +85°C (-13°F +185°F)
Storage temperature range:	-25°C +85°C (-13°F +185°F) (98% R.H. without condensation)

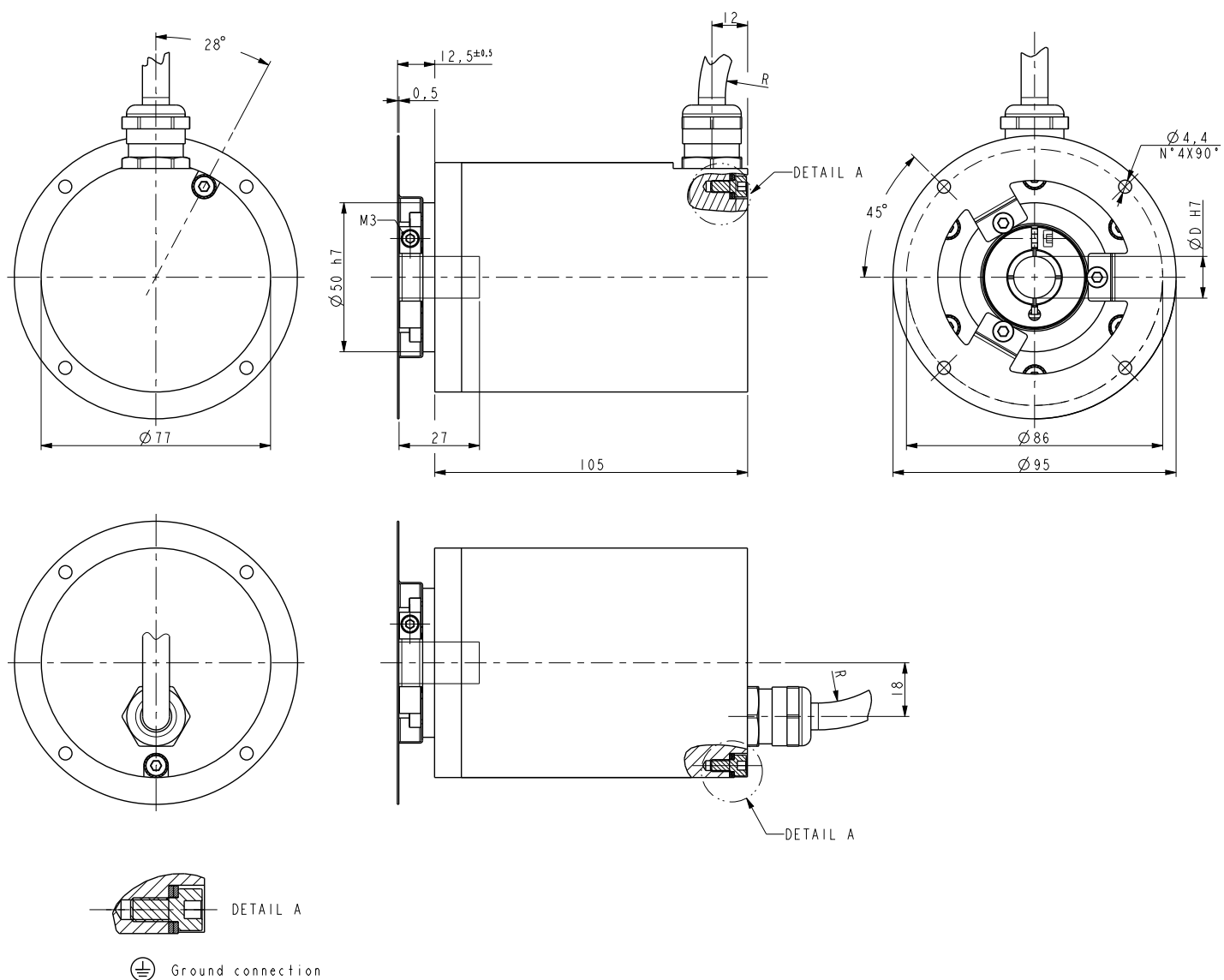
MECHANICAL SPECIFICATIONS	
Protection mode:	ATEX II 2G Ex d IIC T6 Gb, II 2D Ex tb IIIC T85°C Db
Dimensions:	see drawing
Shaft diameter:	Ø 14 mm
Shaft loading (axial, radial):	60 N max.
Shaft rotational speed:	6000 rpm max.
Starting torque (at 20°C):	< 5 Ncm
Bearings life:	400x10 ⁶ rev. min. (10 ⁹ rev. min. with shaft loading of 20 N max.)
Electrical connections:	cable output 3 m (9.8 ft) (max. 8 m for Ethernet versions)
Weight:	~ 1 kg (35,2 oz)
Option:	• additional cable

ELECTRICAL SPECIFICATIONS	
Resolution:	SSI, Bit Parallel: 8192 cpr max. or 8192 cpr x 4096 turns max. Analogue output: 12 bit or 13 x 14 bit Profibus, CANopen, DeviceNet: 262144 cpr or 65536 cpr x 16384 turns Profinet, EtherCAT, Powerlink, Ethernet/IP, Modbus TCP/IP: 262144 cpr or 65536 cpr x 16384 turns
Accuracy:	± 0,04°
Output circuits:	SSI (RS422), Bit Parallel NPN, Push Pull gray or binary coded Profibus-DP, CANopen, DeviceNet Profinet, EtherCAT, Powerlink, Ethernet/IP, Modbus TCP/IP 0-5V, 0-10V, -5/+5V, -10/+10V 4-20mA, 0-20mA, 0-24mA
Counting frequency:	> 150 kHz
Power supply:	+10Vdc +30Vdc
Power consumption:	2,2 W max.
Protection:	against inversion of polarity and short circuit
EMC:	electro-magnetic immunity, according to: EN 61000-4-2 EN 61000-4-4
Functions:	<ul style="list-style-type: none"> • Counting direction (input) • Zero setting / Preset (input) <i>Profibus, CANopen, DeviceNet functions refer to HM58 FB series</i> <i>Analogue functions refer to EM58 PA series</i> <i>Profinet, EtherCAT, Powerlink, Ethernet/IP, Modbus refer to relevant user manual</i>
Optoelectronic life:	100.000 hrs min.

MATERIALS	
Flange:	anticorodal, EN AW-6082 (UNI EN 573)
Housing:	anticorodal, EN AW-6082 (UNI EN 573)
Bearings:	ABEC 5
Shaft:	1.4305 (UNI EN 10088-1)



ACCESSORIES	
LKM-1758:	Ø 10 mm solid shaft extension



XAC77

Order code - SSI and Bit Parallel

XAC77	XX (a)	/	XXXXX (b)	X (c)	XX (d)	-	XX (e)	-	X (f)	XX (g)	/Sxxx (h)
-------	-----------	---	--------------	----------	-----------	---	-----------	---	----------	-----------	--------------

<p>(a) RESOLUTION 12 = 4096 cpr 13 = 8192 cpr</p> <p>(b) REVOLUTIONS 1 = single turn 4096 = 4096 turns 16384 = 16384 turns</p> <p>(c) OUTPUT CODE B = Binary G = Gray</p>	<p>(d) OUTPUT CIRCUITS N = NPN o.c. Y = Push-Pull R = SSI, tree format B = SSI, LSB aligned</p> <p>(e) SHAFT DIAMETER 14 = 14 mm</p>	<p>(f) CONNECTION POSITION - = axial R = radial</p> <p>(g) CABLE LENGTH L3 = cable output 3 m L7 = cable output 7 m Lx = cable output x m (3 m min.)</p>
		(h) CUSTOM VERSION

Order code - Profinet, EtherCAT, Powerlink, Ethernet/IP, Modbus

XAC77	XX/XXXXX Ⓐ	XX Ⓑ	-	XX Ⓒ	-	X Ⓓ	XX Ⓔ	/Sxxx Ⓕ
-------	---------------	---------	---	---------	---	--------	---------	------------

Ⓐ RESOLUTION 18/1 = 262144 cpr single turn 16/16384 = 65536 cpr x 16384 turns	Ⓒ SHAFT DIAMETER 14 = 14 mm	Ⓔ CABLE LENGTH L3 = cable output 3 m Lx = cable output x m (3 m min., 8 m max.) L8 = cable output 8 m
Ⓑ OUTPUT PT = Profinet IO EC = EtherCAT PL = Ethernet Powerlink V2.0 EP = Ethernet/IP MT = Modbus TCP/IP	Ⓓ CONNECTION POSITION - = axial R = radial	Ⓕ CUSTOM VERSION

Order code - Profibus, CANopen, DeviceNet

XAC77	XX/XXXXX Ⓐ	XX Ⓑ	-	XX Ⓒ	-	X Ⓓ	XX Ⓔ	/Sxxx /AABT Ⓕ
-------	---------------	---------	---	---------	---	--------	---------	---------------------

Ⓐ RESOLUTION 18/1 = 262144 cpr single turn 16/16384 = 65536 cpr x 16384 turns	Ⓒ SHAFT DIAMETER 14 = 14 mm	Ⓔ CABLE LENGTH L3 = cable output 3 m L7 = cable output 7 m Lx = cable output x m (3 m min.)
Ⓑ OUTPUT PB = Profibus-DP V1 CB = CANopen DS301, DS406 FD = DeviceNet (<i>/AABT selection is mandatory</i>)	Ⓓ CONNECTION POSITION - = axial R = radial	Ⓕ CUSTOM VERSION or FACTORY SETTING
AA: address 00h ÷ 7Dh = addr. 00 ÷ 125 for PB output ⁽¹⁾ 01h ÷ 7Fh = addr. 01 ÷ 127 for CB output ⁽²⁾ 00h ÷ 3Fh = addr. 00 ÷ 63 for FD output <small>⁽¹⁾ order code 7Eh (dec 126) allows software setting of device addr. ⁽²⁾ order code 00h (dec 0) allows software setting of device addr.</small>	B: baud rate A = 20 Kb/s (only CB) B = 50 Kb/s (only CB) C = 100 Kb/s (only CB) D = 125 Kb/s (CB and FD) E = 250 Kb/s (CB and FD) F = 500 Kb/s (CB and FD) G = 800 Kb/s (only CB) H = 1000 Kb/s (only CB) Z = 00 (for PB and CB programmable Baud rate)	

Order code - Analogue output (programmable)

XAC77	XX/XXXXX Ⓐ	XX Ⓑ	-	XX Ⓒ	-	X Ⓓ	XX Ⓔ	/Sxxx Ⓕ
-------	---------------	---------	---	---------	---	--------	---------	------------

Ⓐ RESOLUTION 12/1 = 12 bit single turn 12/16384 = 12 x 14 bit	Ⓒ SHAFT DIAMETER 14 = 14 mm	Ⓔ CABLE LENGTH L3 = cable output 3 m L7 = cable output 7 m Lx = cable output x m (3 m min.)
Ⓑ OUTPUT PA = Programmable analogue	Ⓓ CONNECTION POSITION - = axial R = radial	Ⓕ CUSTOM VERSION