



- Programmable resolution from 1 to 0,001°
- Accuracy up to ± 0.2 deg
- 1 or 2 axes version
- Programmable anti-vibration filter
- Integrated software diagnostic
- MTF value = 102 years
- Robust die cast housing with IP67



IXC1 • IXC2

ENVIRONMENTAL SPECIFICATIONS

Shock:	300 g, 11 ms acc. to EN60068-2-27
Vibrations:	8,2-500 Hz, 40 m/s ² acc. to EN60068-2-6 10-500 Hz, 3 g acc. to EN60068-2-64
Protection:	IP67
Operating temperature range:	-40°C +85°C (-40°F +185°F)
Storage temperature range:	-40°C +85°C (-40°F +185°F)

MECHANICAL SPECIFICATIONS

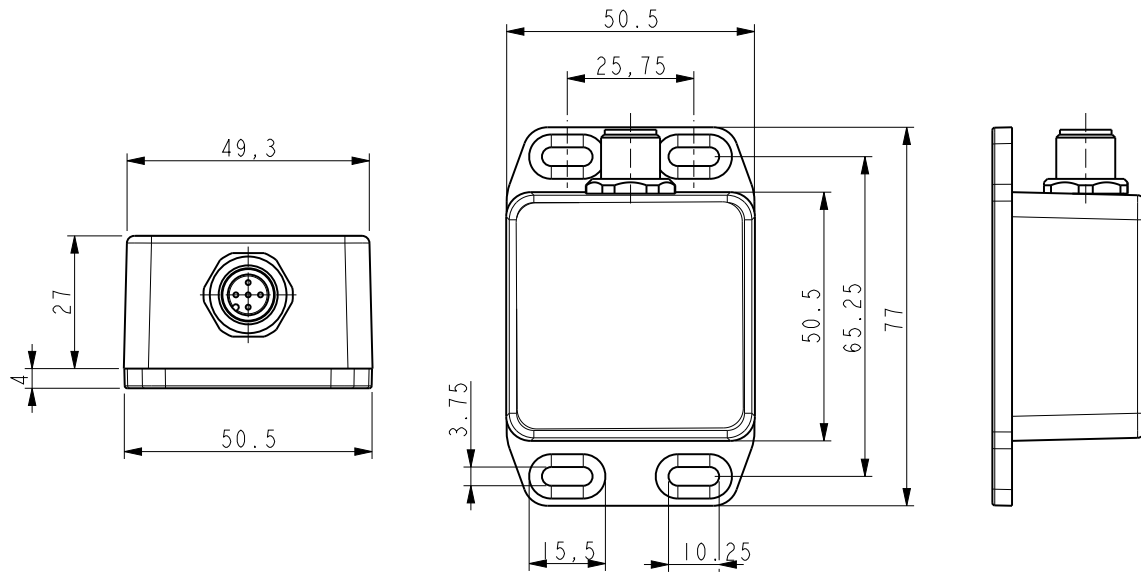
Dimensions:	see drawing
Housing material:	die cast aluminium alloy
Electrical connections:	M12 5 pin plug

ELECTRICAL SPECIFICATIONS

Resolution:	programmable from 1.0 to 0,001°(*) <i>(*) 0,001° only in 2 axes mode and $\pm 30^\circ$ measurement range</i>
Accuracy:	typ. $\pm 0,2$ deg (max. $\pm 0,5$ deg) <i>only up to $\pm 30^\circ$ for 2 axes</i>
Temperature drift:	$\pm 0,008$ deg/°C
Measurement range (programmable):	IXC1: 0-360 deg or ± 180 deg IXC2: from ± 5 to ± 60 deg
Output circuit:	CANopen DS301, DSP410
Sampling rate:	550 S/s
Baudrate:	10 - 1000 kbaud (programmable)
Power supply:	+7Vdc +40Vdc
Power consumption:	45 mA max.
Protection:	against inversion of polarity
EMC:	acc. to EN 61000-6-2, EN 61000-6-3
Functions:	programmable antivibration filter

ACCESSORIES

E-M12FC:	M12 5 pin connector
EC-M12FC-LK-5:	M12 cordset with 5 m cable
EC-M12FC-LK-10:	M12 cordset with 10 m cable



IXC1 • IXC2

Order code - 1 axis version

IXC1	-	XX Ⓐ	-	XXX Ⓑ	-	X Ⓒ	-	/Sxxx Ⓓ
------	---	---------	---	----------	---	--------	---	------------

Ⓐ OUTPUT
CB = CANopen

Ⓑ MEASURING RANGE
360 = 0-360 deg

Ⓒ CONNECTION
M = M12 5 pin connector

Ⓓ CUSTOM VERSION

Order code - 2 axes version

IXC2	-	XX Ⓐ	-	XX Ⓑ	-	X Ⓒ	-	/Sxxx Ⓓ
------	---	---------	---	---------	---	--------	---	------------

Ⓐ OUTPUT
CB = CANopen

Ⓑ MEASURING RANGE
60 = ±60 deg

Ⓒ CONNECTION
M = M12 5 pin connector

Ⓓ CUSTOM VERSION