

DRAW WIRE

Absolute draw wire encoder with fieldbus interface

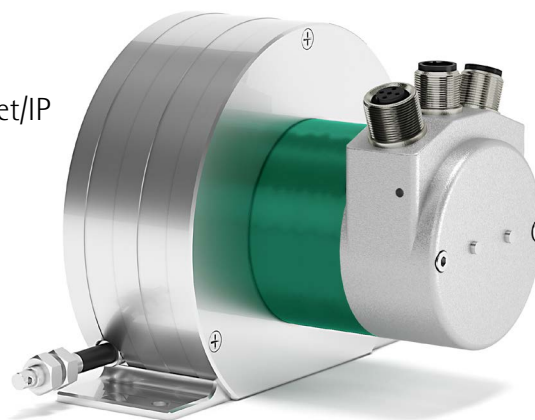
lika

Series

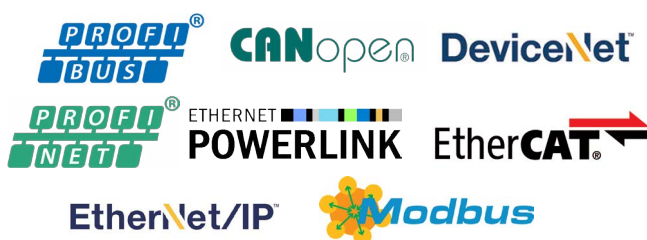
SFA-5000 FB • SFA-10000 FB



- Integrated absolute encoder
- Fieldbus interfaces: Profibus, CANopen, DeviceNet
Ethernet interfaces: Profinet, Powerlink, Modbus/TCP, EtherCAT, Ethernet/IP
- Programmable resolution up to 0,024 mm
- M12 or PG connections
- 5000 & 10000 mm measuring length
- Compact design & easy installation



SFA-5000 FB



ENVIRONMENTAL SPECIFICATIONS

Protection:	IP65
Operating temperature range:	-40°C +85°C (-40°F +185°F)
Storage temperature range:	-40°C +100°C (-40°F +212°F) (98% R.H. without condensation)

MECHANICAL SPECIFICATIONS

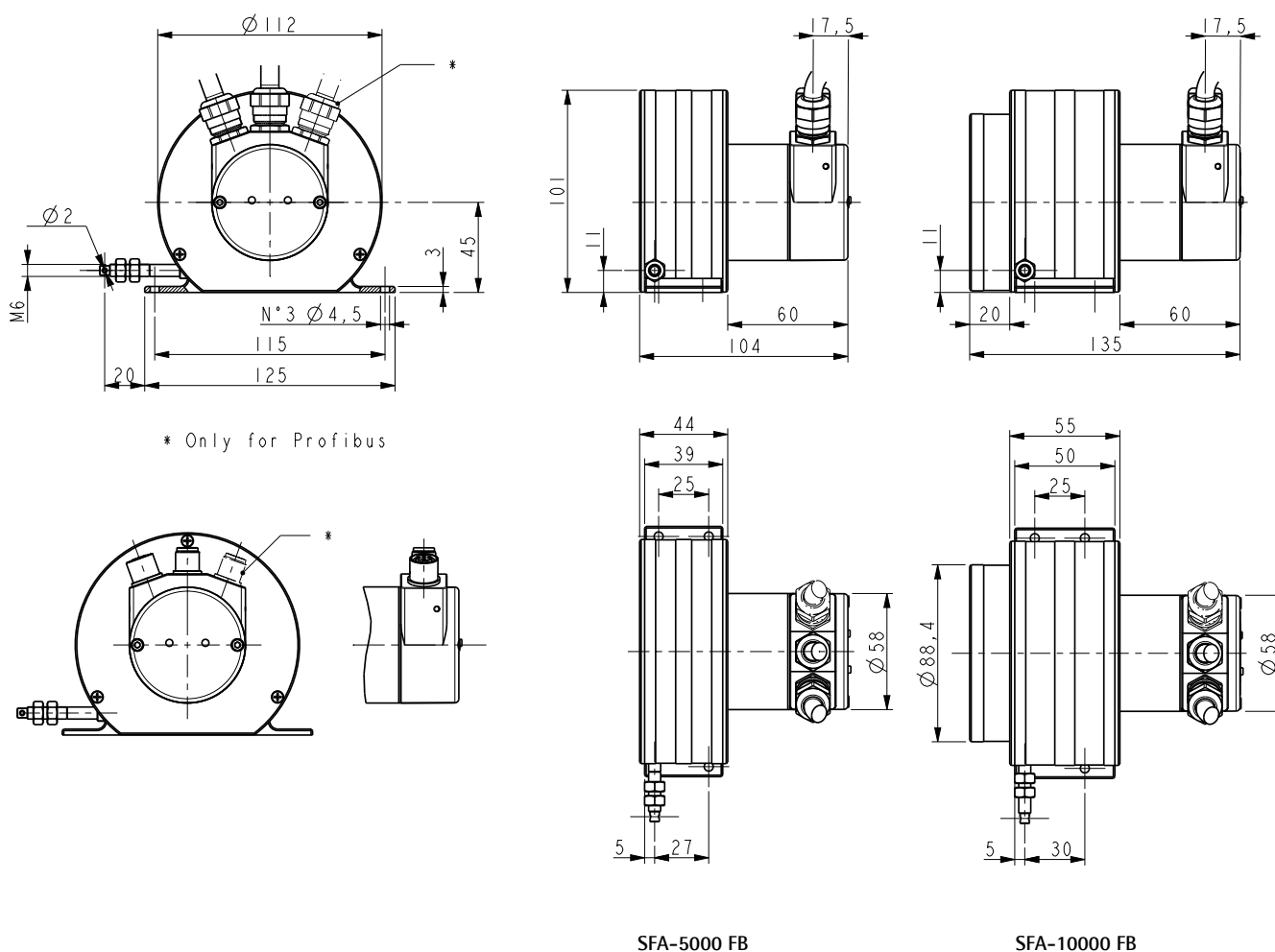
Dimensions:	see drawing
Measuring length:	5000, 10000 mm
Drum circumference:	200 mm
Linearity:	± 0,5 mm
Repeatability:	± 0,1 mm
Travel speed:	2 m/sec max.
Electrical connections:	M12 connectors or PG output
Weight:	~ 0,8 kg

ELECTRICAL SPECIFICATIONS

Resolution:	0,024 mm or scalable via fieldbus
Interface:	Profibus-DP V0, CANopen DS301-DS406, Devicenet Ethernet/IP, EtherCAT, Powerlink, Profinet IO, Modbus/TCP
Programmable parameters:	scaling, counting direction, preset/offset values
Power supply:	+10Vdc +30Vdc
Power consumption :	2,2 W
Protection:	against inversion of polarity and short-circuit
EMC:	electro-magnetic immunity, according to: EN 61000-4-2 EN 61000-4-4
Functions:	see user manual for each fieldbus

MATERIALS

Housing (draw wire):	anticorodal, UNI EN AW-6082
Housing (encoder):	die cast alluminium, UNI EN AC-46100
Wire:	stainless steel, non magnetic - UNI EN 4305



Order code

SFA	-	XXXXX	-	XX	-	XXXX	-	XX
		Ⓐ		Ⓑ		Ⓒ		Ⓓ

<p>Ⓐ MEASURING LENGTH 5000 = 5000 mm 10000 = 10000 mm</p>	<p>Ⓑ OUTPUT CIRCUIT PB = Profibus-DP V0 CB = CANopen DS301, DS406 FD = DeviceNet PT = Profinet IO PL = Powerlink EC = EtherCAT EP = Ethernet/IP MT = Modbus/TCP</p>	<p>Ⓒ RESOLUTION 8192 = 0,024 mm</p> <p>Ⓓ CONNECTIONS M12 = M12 connectors PG = PG output (only PB, CB, FD)</p>
--	--	---

ACCESSORIES

EC-M12MC-LK-CB-5: CANopen/Devicenet M12 plug cordset with 5 m cable	EC-M12MP-LK-PB-5: Profibus M12 plug cordset with 5 m cable
EC-M12MC-LK-CB-10: CANopen/Devicenet M12 plug cordset with 10 m cable	EC-M12MP-LK-PB-10: Profibus M12 plug cordset with 10 m cable
EC-M12FC-LK-CB-5: CANopen/Devicenet M12 connector cordset with 5 m cable	EC-M12FP-LK-PB-5: Profibus M12 connector cordset with 5 m cable
EC-M12FC-LK-CB-10: CANopen/Devicenet M12 conn. cordset with 10 m cable	EC-M12FP-LK-PB-10: Profibus M12 connector cordset with 10 m cable
EC-M12ME-EC-GN-5: Ethernet M12 cordset with 5 m cable	EC-M12PP-LK-PBS-5: M12 Power supply cordset 5 m (all types)
EC-M12ME-EC-GN-10: Ethernet M12 cordset with 10 m cable	EC-M12PP-LK-PBS-10: M12 Power supply cordset 10 m (all types)