

ROTACOD

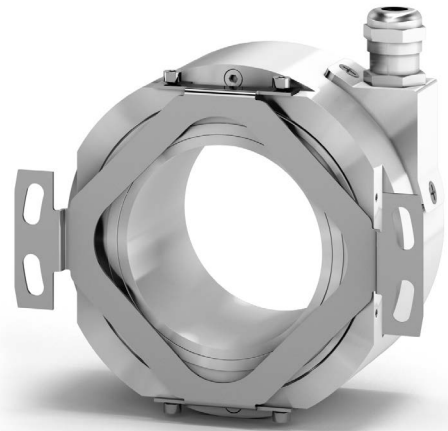
Absolute single turn encoder

Series

ASC85



- High accuracy optical sensing
- 25 bit resolution
- Through hollow shaft diameter Ø50mm
- For precision motor feedback & radar systems
- Robust housing in stainless steel



ASC85

ENVIRONMENTAL SPECIFICATIONS

Shock:	250 g, 6 ms acc. to CEI EN 60068-2-27
Vibrations:	10 g, 5-2000 Hz acc. to CEI EN 60068-2-6
Protection:	IP65
Operating temperature range:	-40°C +100°C (-40°F +212°F)
Storage temperature range:	-40°C +100°C (-40°F +212°F) (98% R.H. without condensation)

MECHANICAL SPECIFICATIONS

Dimensions:	see drawing
Hollow shaft diameter:	Ø 50 mm
Shaft loading (axial, radial):	40 N max.
Shaft rotational speed:	2000 rpm continuous operation
Starting torque (at 20°C):	0,25 Nm (typ.)
Bearings life:	400 x10 ⁶ rev. min. (10 ⁹ rev. min. with 20 N shaft loading max.)
Electrical connections:	cable output 2 m (6.56 ft) or M12 12 pin, M23 12 pin inline connector
Weight:	~ 880 g (31 oz)
Option:	• additional cable

ELECTRICAL SPECIFICATIONS

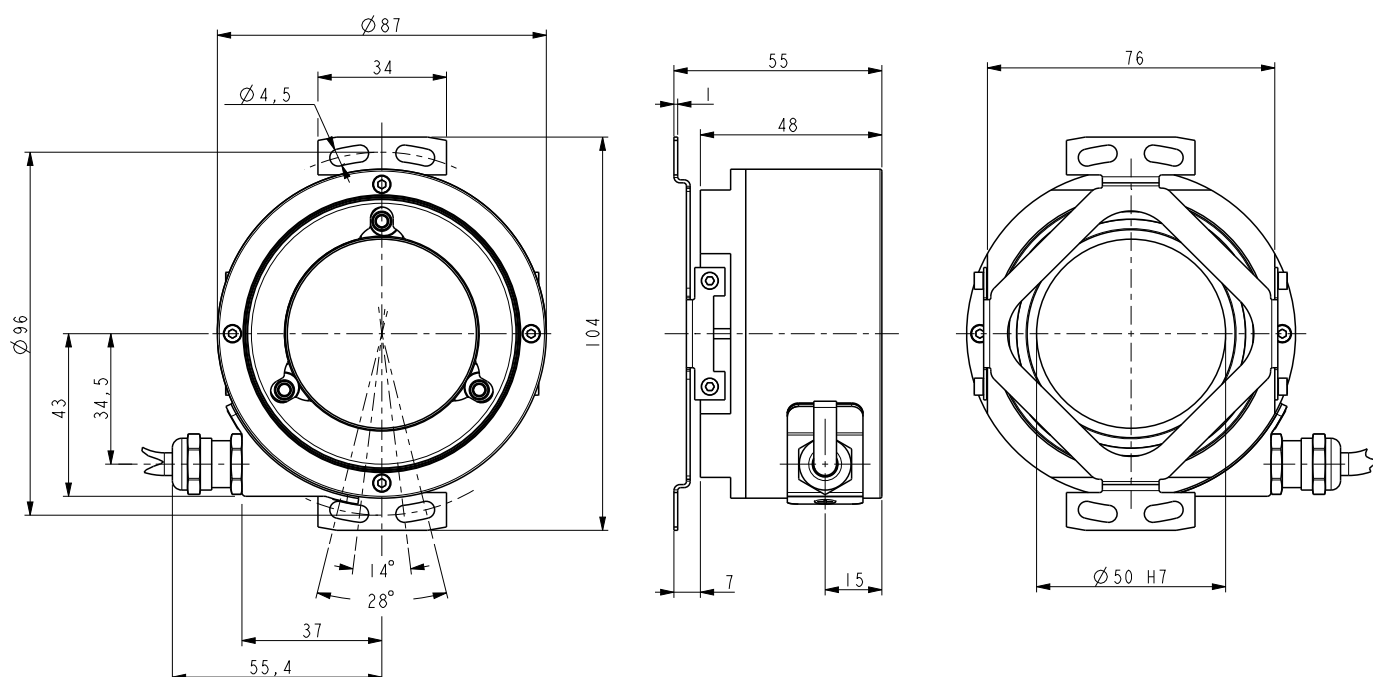
Resolution:	25 bit max.
Accuracy:	± 0,005°
Output circuits:	SSI, BiSS C-mode
Output code:	Gray
Position refresh:	8µs max.
Power supply:	+5Vdc ±5%, +10Vdc +30Vdc
Power consumption:	0,9 W
Protection:	against inversion of polarity, short-circuit
EMC:	electro-magnetic immunity, according to: EN-61000-4-2 EN-61000-4-4
Optoelectronic life:	100.000 h min.
Functions:	• Counting direction (input) • Zero setting/Preset (input)

MATERIALS

Flange:	stainless steel, non magnetic, UNI EN 4305
Housing:	stainless steel, non magnetic, UNI EN 4305
Bearings:	ABEC 5
Shaft:	stainless steel, non magnetic, UNI EN 4305

ACCESSORIES

EPFL121H:	M23 12 pin connector
EM12F12:	M12 12 pin mating connector
EC-CR12F-S28-T12-xx:	cordset xx m, M23 connector
EC-M12F8-LK-M8-xx:	cordset xx m, M12 8 pin connector



ASC85

Order code

ASC85	XX Ⓐ	/	XXX Ⓑ	-	XX Ⓒ	-	X Ⓓ	XX Ⓔ	/Sxxx Ⓕ
-------	---------	---	----------	---	---------	---	--------	---------	------------

Ⓐ RESOLUTION
25 = 33554432 cpr

Ⓑ OUTPUT CIRCUITS
SC1 = BiSS C-mode, power supply +5Vdc ±5%
SC2 = BiSS C-mode, power supply +10Vdc +30Vdc
GG1 = SSI, MSB aligned, Gray +5Vdc ±5%
GG2 = SSI, MSB aligned, Gray +10Vdc +30Vdc

Ⓒ SHAFT DIAMETER
50 = 50 mm

Ⓓ CONNECTION POSITION
R = radial

Ⓔ CONNECTIONS
L2 = cable output 2 m
L5 = cable output 5 m
M0,5 = 0,5 m cable + M12 inline plug
M2 = 2 m cable + M12 inline plug
MM0,5 = 0,5 m cable + M23 inline plug
MM2 = 2 m cable + M23 inline plug

Ⓕ CUSTOM VERSION