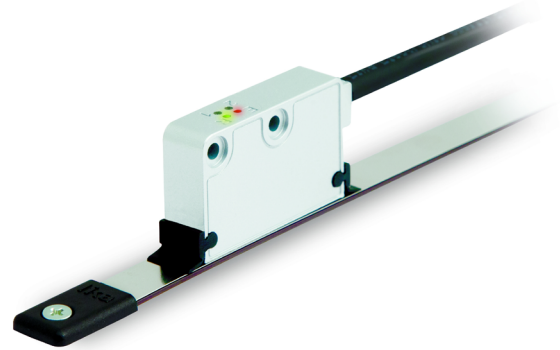


Series

SME54



- Programmable resolution and index width
- Set-up via PC software
- Gap clearance up to 2 mm
- Lika hi-flex sensor cable for drag cable chains
- Status LED for gap and speed
- Reference mark LKM1309/5 to be installed along the magnetic tape
- Optional tape cleaning wipers



SME54

#### ENVIRONMENTAL SPECIFICATIONS

Shock:	250 g, 6 ms acc. to CEI EN 60068-2-27
Vibrations:	10 g, 5-2000 Hz acc. to CEI EN 60068-2-6
Protection:	IP67
Operating temperature range:	-25°C ÷ +85°C (-13°F +185°F)
Storage temperature range:	-40°C ÷ +100°C (-40°F +212°F)

#### MECHANICAL SPECIFICATIONS

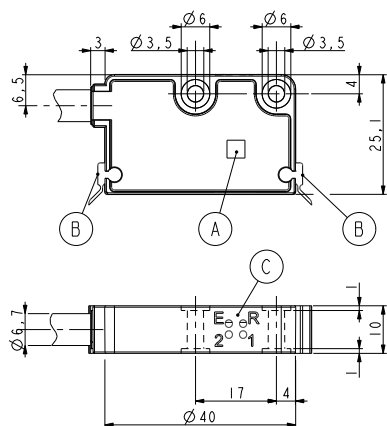
Dimensions:	see drawing
Housing material:	die cast aluminium, UNI EN AC-46100
Electrical connections:	Lika Hi-flex cable M10 2,0 m 0,5 ÷ 1 m cable T12 with M12 12 pin inline plug
Gap between sensor/tape (without cover strip):	0,1 ÷ 2,0 mm
Travel speed (mechanical):	max 10 m/s
Measurement length:	Tape length -5 mm each side

#### ELECTRICAL SPECIFICATIONS

Resolution:	programmable from 1250 µm to 0,08 µm (default: 5 µm)
Sensor accuracy:	±10 µm max.
Repeat accuracy:	±1 increment
Output circuits:	Line Driver, Push-Pull
Output signals:	ABO /ABO
Counting frequency:	Push-Pull: 3 MHz max. @ 24Vdc, cable 1 m Line Driver: 5 MHz max. @ 5Vdc, cable 1 m
Power supply:	+5Vdc ±5%, +10Vdc ÷ +30Vdc
Power consumption:	70 mA max.
Protection:	against inversion of polarity and short-circuit
EMC:	acc. to EN 61000-6-2 level 3

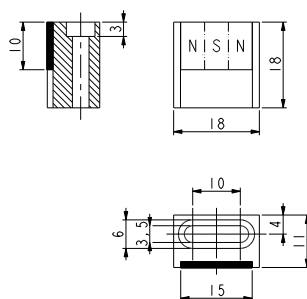
#### ACCESSORIES

MT50:	Magnetic tape
LKM-1309/5:	Reference pole support
KIT LKM-1440:	Set of tape terminals
KIT WIPERS:	Wipers for SMExx/SMSxx (10 pcs)
KIT PS1-1,0:	Protection profile (10 pcs)
EC-M12F12-LK-T12-5	M12 cordset with 5 m cable
EC-M12F12-LK-T12-10	M12 cordset with 10 m cable
KIT IP/IQ58:	Programming kit
EC-IP/IQ58-M12	M12 programming cable

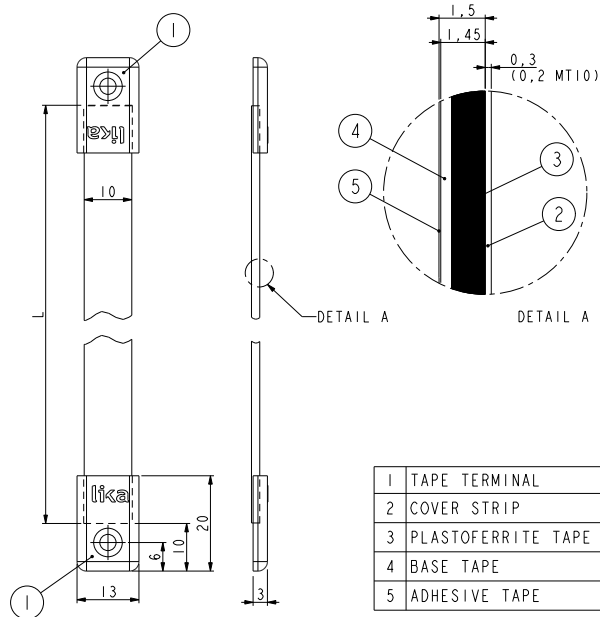


A	Reference sensor "R"
B	Dust wipers
C	Diagnostic LEDs
E:	Gap/Speed error (red)
R:	Reference detection (green)
1:	Power ON (green)
2:	Gap/Speed warning (red)

SME54



LKM-1309/5



1	TAPE TERMINAL
2	COVER STRIP
3	PLASTOFERRITE TAPE
4	BASE TAPE
5	ADHESIVE TAPE

MT50

Order code - Sensor

SME54	-	XX	-	X	-	PROG	-	X	-	XX	/Sxxx
		(a)		(b)		(c)		(d)		(e)	(f)

<p><b>(a) OUTPUT CIRCUITS</b>                  Y = Push-Pull (AB)                  YC = Push-Pull (AB, /AB)                  L = Line Driver (AB, /AB)</p> <p><b>(b) POWER SUPPLY</b>                  1 = +5Vdc ±5% (L output circuit)                  2 = +10Vdc ÷ +30Vdc (Y and YC output circuit)</p>	<p><b>(c) RESOLUTION</b>                  PROG</p> <p><b>(d) INDEX</b>                  R = unique reference signal</p>	<p><b>(e) CONNECTIONS</b>                  L2 = cable output 2 m                  M0,5 = 0,5 m cable + M12 12 pin inline plug                  M1 = 1 m cable + M12 12 pin inline plug</p>
		<b>(f) CUSTOM VERSION</b>

Order code - Magnetic tape

MT50	-	XXX	-	XXX	-	X	-	/Sxxx
		(a)		(b)		(c)		(d)

<p><b>(a) LENGTH</b>                  1 = 1,0 m      20 = 20,0 m                  2 = 2,0 m      30 = 30,0 m                  4 = 4,0 m      50 = 50,0 m                  10 = 10,0 m    100 = 100,0 m</p>	<p><b>(b) ACCURACY CLASS</b>                  100 = ±85 µm/m                  50 = ±35 µm/m (up to 30 m)                  10 = ±8 µm/m (up to 10 m)</p>	<p><b>(c) COVER STRIP</b>                  0 = not supplied                  1 = supplied</p>
		<b>(d) CUSTOM VERSION</b>