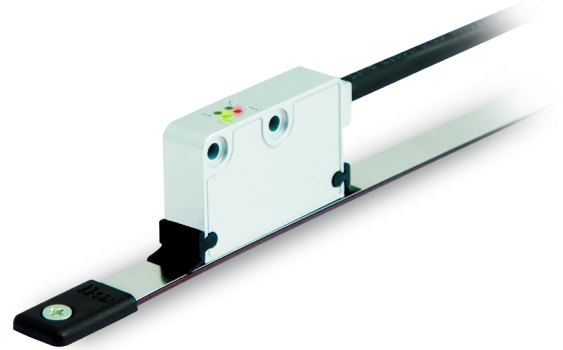


Series

SME53



- High resolution encoder for linear position measurement
- Gap clearance up to 2 mm
- Lika hi-flex sensor cable for drag cable chains
- Status LED for gap and speed
- Optional reference mark LKM1309/5 to be installed along the magnetic tape
- Optional tape cleaning wipers



SME53

ENVIRONMENTAL SPECIFICATIONS

Shock:	250 g, 6 ms acc. to CEI EN 60068-2-27
Vibrations:	10 g, 5-2000 Hz acc. to CEI EN 60068-2-6
Protection:	IP67
Operating temperature range:	-25°C ÷ +85°C (-13°F +185°F)
Storage temperature range:	-40°C ÷ +100°C (-40°F +212°F)

MECHANICAL SPECIFICATIONS

Dimensions:	see drawing
Housing material:	die cast aluminium, UNI EN AC-46100
Electrical connections:	Lika Hi-flex cable M8, 2,0 m or M12 8 pin inline plug
Gap between sensor/tape (without cover strip):	0,1 ÷ 2,0 mm
Travel speed (mechanical):	max 16 m/s
Measurement length:	Tape length -5 mm each side

ELECTRICAL SPECIFICATIONS

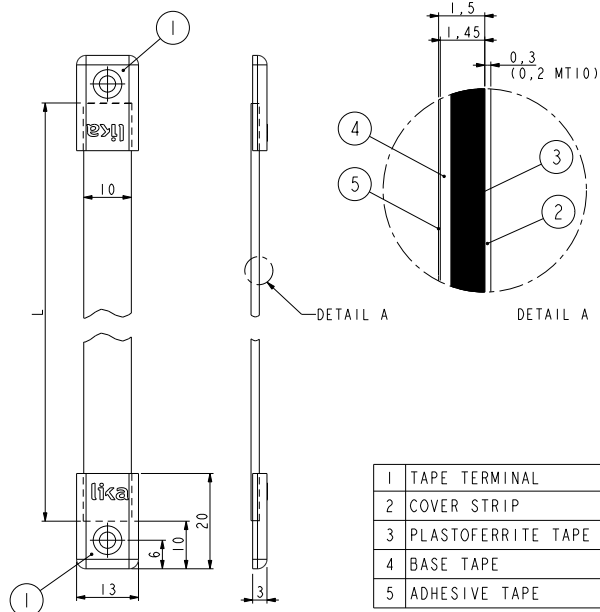
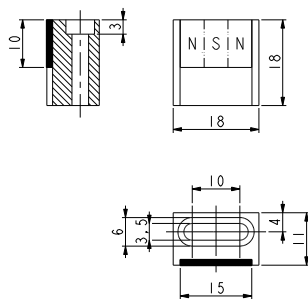
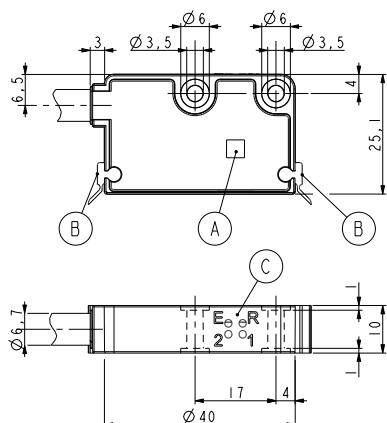
Resolution:	5 / 2 / 1 / 0,5 / 0,08 µm
Sensor accuracy:	±10 µm max.
Repeat accuracy:	±1 increment
Output circuits:	Line Driver, Push-Pull
Output signals:	AB0 /AB0
Counting frequency:	Push-Pull: 3 MHz max. @ 24Vdc, cable 1 m Line Driver: 5 MHz max. @ 5Vdc, cable 1 m
Power supply:	+5Vdc ±5%, +10Vdc ÷ +30Vdc
Power consumption:	70 mA max.
Protection:	against inversion of polarity and short-circuit
EMC:	acc. to EN 61000-6-2 level 3

ACCESSORIES

MT50:	Magnetic tape
LKM-1309/5:	Reference pole support
KIT LKM-1440:	Set of tape terminals
KIT WIPERS:	Wipers for SMExx/SMSxx (10 pcs)
KIT PS1-1,0:	Protection profile (10 pcs)
E-M12F8:	M12 8 pin mating connector
EC-M12F8-LK-M8-5:	cordset 5 meters with M12 conn.
EC-M12F8-LK-M8-10:	cordset 10 meters with M12 conn.

Edge distance selection

Order code	Edge distance (µsec)	Max. counting frequency (kHz)	Resolution (µm) vs. max. possible speed (m/s)				
			0,08	0,5	1	2	5
K	0,20	5000	0,40	2,50	5,00	10,00	-
H	0,30	3333	0,27	1,67	3,33	6,66	-
J	0,50	2000	0,16	1,00	2,00	4,00	10,00
A	1,00	1000	0,08	0,50	1,00	2,00	5,00



A	Reference sensor "R"
B	Dust wipers
C	Diagnostic LEDs
E: Gap/Speed error (red)	
R: Reference detection/Index (green)	
1: Power ON (green)	
2: Gap/Speed warning (red)	

1	TAPE TERMINAL
2	COVER STRIP
3	PLASTOFERRITE TAPE
4	BASE TAPE
5	ADHESIVE TAPE

SME53

LKM-1309/5

MT50

Order code - Sensor

SME53	-	XX	-	X	-	XX	-	X	-	XX	-	X	/Sxxx
		(a)		(b)		(c)		(d)		(e)		(f)	(g)

<p>(a) OUTPUT CIRCUITS Y = Push-Pull (AB) YC = Push-Pull (AB, /AB) L = Line Driver (AB, /AB)</p> <p>(b) POWER SUPPLY 1 = +5Vdc ±5% (L output circuit) 2 = +10Vdc ÷ +30Vdc (Y and YC output circuit)</p>	<p>(c) RESOLUTION 5 = 0,005 mm (5 µm) 2 = 0,002 mm (2 µm) 1 = 0,001 mm (1 µm) 05 = 0,0005 mm (0,5 µm) 008 = 0,00008 mm (0,08 µm)</p> <p>(d) INDEX N = without I = every 5 mm R = unique reference signal</p>	<p>(e) CONNECTIONS L2 = cable output 2 m Lx = cable output x m M0,5 = 0,5 m cable + M12 inline plug M2 = 2 m cable + M12 inline plug</p> <p>(f) EDGE DISTANCE (see edge distance selection) K = 0,2 µs H = 0,3 µs J = 0,5 µs A = 1 µs</p> <p>(g) CUSTOM VERSION</p>
--	--	--

Order code - Magnetic tape

MT50	-	XXX	-	XXX	-	X	-	/Sxxx
		(a)		(b)		(c)		(d)

<p>(a) LENGTH 1 = 1,0 m 20 = 20,0 m 2 = 2,0 m 30 = 30,0 m 4 = 4,0 m 50 = 50,0 m 10 = 10,0 m 100 = 100,0 m</p>	<p>(b) ACCURACY CLASS 100 = ±85 µm/m 50 = ±35 µm/m (up to 30 m) 10 = ±8 µm/m (up to 10 m)</p>	<p>(c) COVER STRIP 0 = not supplied 1 = supplied</p> <p>(d) CUSTOM VERSION</p>
--	---	--