



- Resolution up to 0,001°
- High accuracy, ± 0.05 deg
- Programmable 1 or 2 axes operation
- Programmable anti-vibration filter
- Integrated software diagnostic
- MTTF value = 102 years
- Robust die cast housing with IP67



IXB

ENVIRONMENTAL SPECIFICATIONS

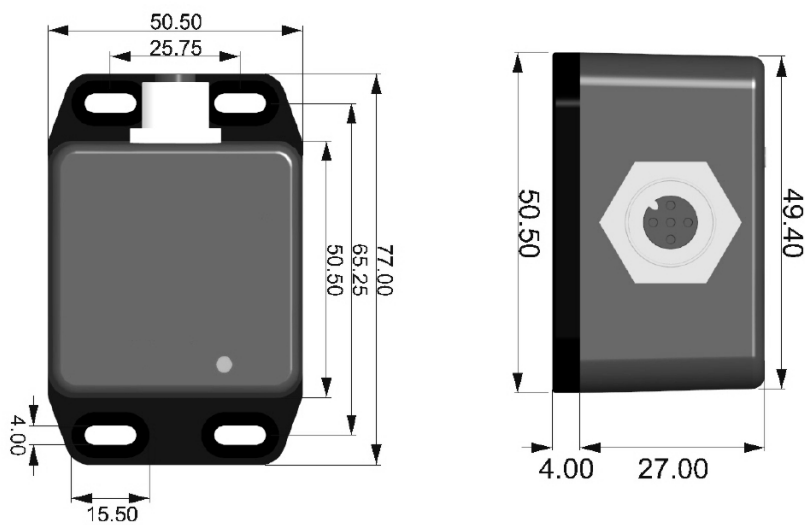
Shock:	300 g, 11 ms acc. to EN60068-2-27
Vibrations:	8,2-500 Hz, 40 m/s ² acc. to EN60068-2-6 10-500 Hz, 3 g acc. to EN60068-2-64
Protection:	IP67
Operating temperature range:	-40°C +85°C (-40°F +185°F)
Storage temperature range:	-40°C +85°C (-40°F +185°F)

MECHANICAL SPECIFICATIONS

Dimensions:	see drawing
Housing material:	die cast aluminium alloy
Electrical connections:	M12 5 pin plug

ELECTRICAL SPECIFICATIONS

Resolution:	programmable from 1.0 to 0,001°(*) (*) 0,001° only in 2 axes mode and $\pm 30^\circ$ measurement range
Accuracy:	typ. $\pm 0,05^\circ$ (max. $\pm 0,15^\circ$)
Temperature drift:	$\pm 0,008$ deg/°C
Measurement range (programmable):	1 axis mode: 0-360 deg or ± 180 deg 2 axes mode: from ± 5 to ± 60 deg
Output circuit:	CANopen DS301, DSP410
Sampling rate:	550 S/s
Baudrate:	10 - 1000 kbaud (programmable)
Power supply:	+7Vdc +40Vdc
Power consumption:	45 mA max.
Protection:	against inversion of polarity
EMC:	acc. to EN 61000-6-2, EN 61000-6-3
Functions:	programmable antivibration filter
Options:	Temp. compensation (temp. drift = 0,002 deg/°C)



IXB

Order code

IXB	-	XX Ⓐ	-	PROG Ⓑ	-	X Ⓒ	-	X Ⓓ	-	/Sxxx Ⓓ
-----	---	---------	---	-----------	---	--------	---	--------	---	------------

Ⓐ OUTPUT
CB = CANopen

Ⓑ MEASURING RANGE
PROG = Programmable

Ⓒ CONNECTION
M = M12 5 pin connector

Ⓓ OPTIONS
T = Temp. compensation

Ⓔ CUSTOM VERSION