

DRAW WIRE

Programmable incremental draw wire encoder

lika

Series

SFE-5000 • SFE-10000



- Integrated programmable encoder
- Universal output circuit HTL/TTL
- Compact design & easy installation
- 5000 & 10000 mm measuring length
- Resolution up to 16384 PPR (progr.) or pre-programmed 0.05, 0.1, 0.2 mm



SFE-5000

ENVIRONMENTAL SPECIFICATIONS

Shock:	100 g, 6 ms
Vibrations:	10 g, 5-2000 Hz
Protection:	IP65
Operating temperature range:	-40°C +85°C (-40°F +185°F)
Storage temperature range:	-40°C +100°C (-40°F +212°F) (98% R.H. without condensation)

MECHANICAL SPECIFICATIONS

Dimensions:	see drawing
Drum circumference:	200 mm
Wire retraction force:	5000: 3,2 ÷ 6,5 N 10000: 3,2 ÷ 6 N
Measuring length:	5000, 10000 mm
Linearity:	± 0,5 mm
Repeatability:	± 0,1 mm (or ± 1 digit with resolution <2000)
Measuring speed:	2 m/sec max.
Weight:	~ 0,8 kg
Connections:	M12, M23 plug or cable output 1 m

ELECTRICAL SPECIFICATIONS

Power supply:	+5Vdc +30Vdc
Output circuit:	Universal circuit PP/LD
Resolution:	0.05, 0.1, 0.2 mm or programmable (16384 PPR max.)
Output current:	40 mA max.
Input current:	60 mA max.
Output signals:	A00, /A00

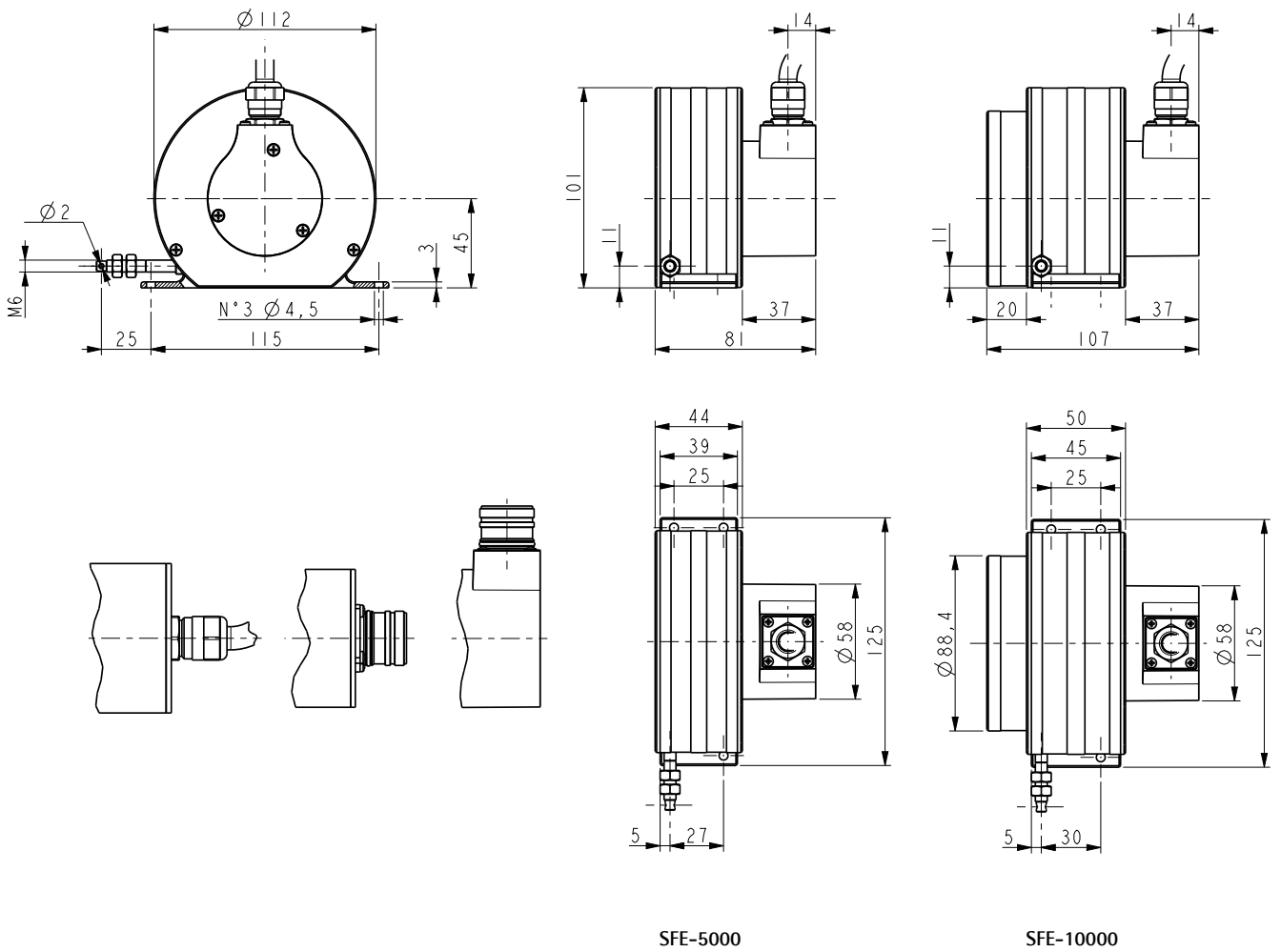
MATERIALS

Housing (draw wire):	anticorodal, UNI EN AW-6082
Housing (encoder):	die cast alluminium, UNI EN AC-46100
Wire:	stainless steel, non magnetic - UNI EN 4305

ACCESSORIES

EPFL 121:	M23 12 pin mating connector
EC-C12F-LK-I8-5:	M23 cordset with 5 m cable
EC-C12F-LK-I8-10:	M23 cordset with 10 m cable
E-M12F12:	M12 12 pin mating connector
EC-M12F12-LK-T12-5:	M12 cordset with 5 m cable*
EC-M12F12-LK-T12-10:	M12 cordset with 10 m cable*
KIT IP/IQ58:	USB programming kit
EC-IP/IQ58-M23:	M23 programming cable
EC-IP/IQ58-M12:	M12 programming cable

*not suitable for programming



SFE-5000

SFE-10000

Order code

SFE	-	XXXXX	-	X	-	XXXX	-	X	-	X	XX
		(a)		(b)		(c)		(d)		(e)	(f)

(a) MEASURING LENGTH

5000 = 5000 mm
10000 = 10000 mm

(b) OUTPUT CIRCUIT

H = PP/LD universal circuit

(c) RESOLUTION

4000 = 0,05 mm
2000 = 0,1 mm
1000 = 0,2 mm
PROG = programmable (0,01 mm max.)

(d) POWER SUPPLY

4 = +5Vdc +30Vdc

(e) CONNECTION POSITION

- = axial
R = radial

(f) CONNECTIONS

L1 = cable output 1 meter
L2 = cable output 2 meters (max. length)
M = M12 12 pin plug
M2 = M23 12 pin plug