

Series

SMP



- Linear encoder with lateral tape detection
- Space saving installation on linear guides
- Resolution up to 0,0125 mm
- Lika hi-flex sensor cable
- Easy installation and alignment



SMP

ENVIRONMENTAL SPECIFICATIONS

Shock:	250 g, 6 ms acc. to CEI EN 60068-2-27
Vibrations:	10 g, 5-2000 Hz acc. to CEI EN 60068-2-6
Protection:	IP67
Operating temperature range:	-25°C ÷ +85°C (-13°F +185°F)
Storage temperature range:	-40°C ÷ +100°C (-40°F +212°F)

MECHANICAL SPECIFICATIONS

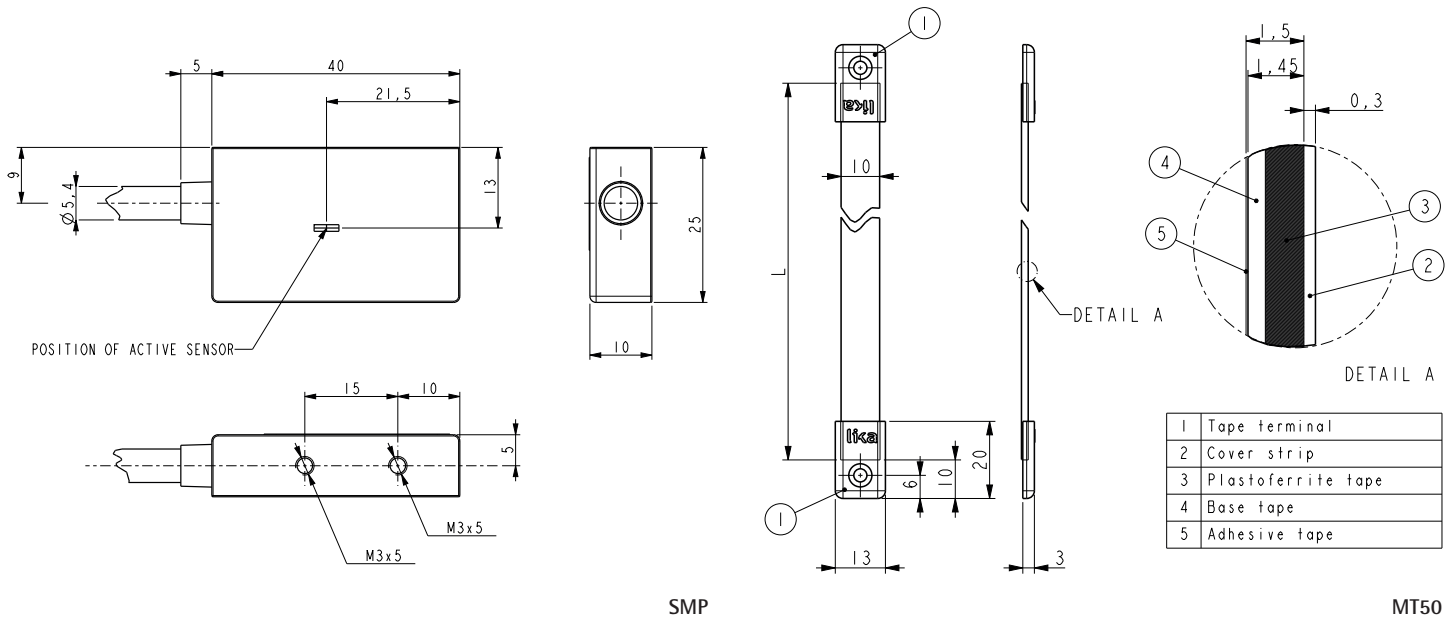
Dimensions:	see drawing
Housing material:	die cast aluminium, UNI EN AC-46100
Electrical connections:	Lika Hi-flex cable M8 2,0 m or M12 8 pin inline plug
Gap between sensor/tape (without cover strip):	0,1 ÷ 2,0 mm
Travel speed (mechanical):	max 16 m/s
Measurement length:	Tape length -5 mm each side

ELECTRICAL SPECIFICATIONS

Resolution:	0,25 / 0,125 / 0,0625 / 0,05 / 0,025 / 0,0125 mm
Sensor accuracy:	±15 µm max.
Repeat accuracy:	±1 increment
Output circuits:	Line Driver, Push-Pull
Output signals:	AB /AB
Counting frequency:	1000 kHz max.
Power supply:	+5Vdc ±5%, +10Vdc ÷ +30Vdc
Power consumption:	70 mA max.
Protection:	against inversion of polarity (except 5Vdc version) and short-circuit
EMC:	acc. to EN 61000-6-2 level 3

ACCESSORIES

MT50:	Magnetic tape
KIT LKM-1440:	Set of tape terminals (10 pcs)
E-M12F8:	M12 8 pin mating connector
EC-M12F8-LK-M8-5:	Cordset 5 meters with M12 conn.
EC-M12F8-LK-M8-10:	Cordset 10 meters with M12 conn.



SMP

MT50

Order code - Sensor

SMP	-	XX (a)	-	X (b)	-	XXXX (c)	-	X (d)	-	XX (e)	-	X (f)	/Sxxx (g)
-----	---	-----------	---	----------	---	-------------	---	----------	---	-----------	---	----------	--------------

(a) OUTPUT CIRCUITS

Y = Push-Pull (AB)
 YC = Push-Pull (AB, /AB)
 L = Line Driver (AB, /AB)

(b) POWER SUPPLY

1 = +5Vdc ±5% (L output circuit)
 2 = +10Vdc ÷ +30Vdc (Y and YC output circuit)

(c) RESOLUTION

250 = 0,25 mm (250 µm)
 125 = 0,125 mm (125 µm)
 62/5 = 0,0625 mm (62,5 µm)
 50 = 0,05 mm (50 µm)
 25 = 0,025 mm (25 µm)
 12/5 = 0,0125 mm (12,5 µm)

(d) INDEX

N = without

(e) CONNECTIONS

L2 = cable output 2 m
 Lx = cable output x m
 M0,5 = 0,5 m cable + M12 inline plug
 M2 = 2 m cable + M12 inline plug

(f) EDGE DISTANCE

A = 1 µs

(g) CUSTOM VERSION

Order code - Magnetic tape

MT50	-	XXX (a)	-	XXX (b)	-	X (c)	/Sxxx (d)
------	---	------------	---	------------	---	----------	--------------

(a) LENGTH

1 = 1,0 m 20 = 20,0 m
 2 = 2,0 m 30 = 30,0 m
 4 = 4,0 m 50 = 50,0 m
 10 = 10,0 m 100 = 100,0 m

(b) ACCURACY CLASS

100 = ±85 µm/m
 50 = ±35 µm/m (up to 30 m)
 10 = ±8 µm/m (up to 10 m)

(c) COVER STRIP

0 = not supplied
 1 = supplied

(d) CUSTOM VERSION