

ROTAPULS

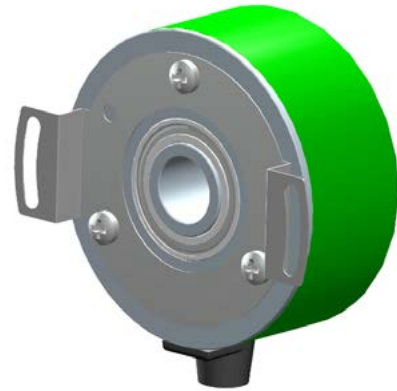
High resolution incremental encoder

Series

CH59



- Compact through hollow shaft encoders
- Resolutions up to 204800 PPR
- Designed for electro-medical applications, analysis and laboratory equipment, motor testbeds



CH59

ENVIRONMENTAL SPECIFICATIONS

Shock:	100 g, 6 ms
Vibrations:	10 g, 5-2000 Hz
Protection:	IP42
Operating temperature range:	-25°C +85°C (-13°F +185°F)
Storage temperature range:	-25°C +85°C (-13°F +185°F) (98% R.H. without condensation)

MECHANICAL SPECIFICATIONS

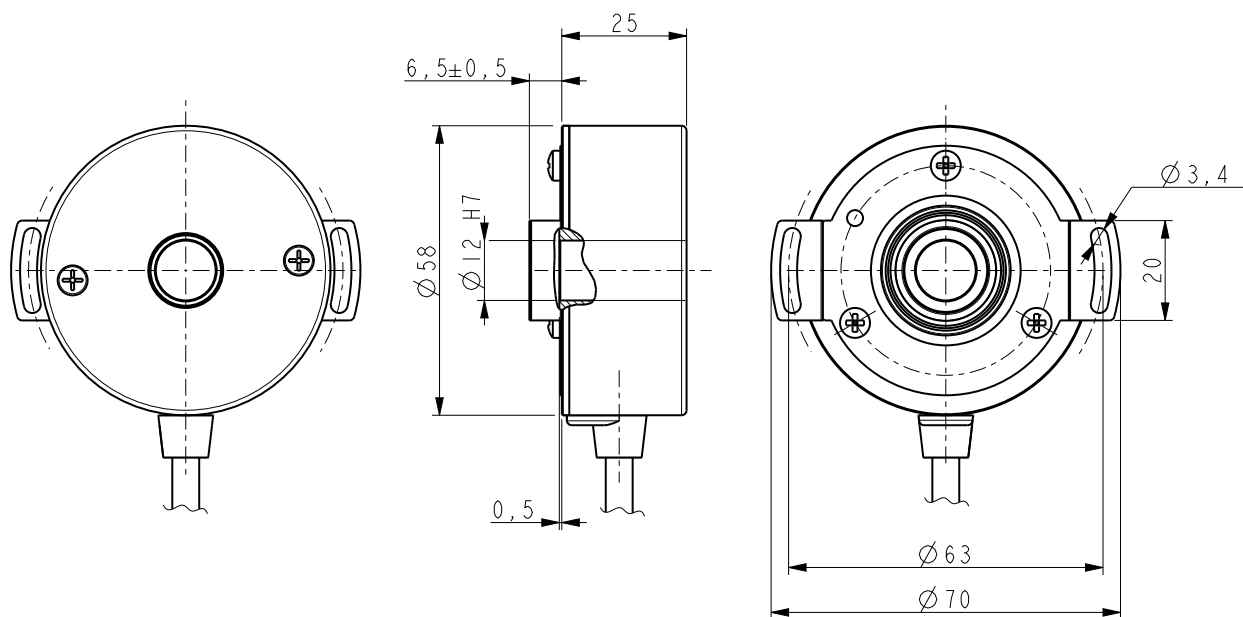
Dimensions:	see drawing
Hollow shaft diameter:	Ø 12 mm
Shaft loading (axial, radial):	40 N max.
Shaft rotational speed:	6000 rpm max.
Starting torque at 20°C:	1 Ncm (typical)
Bearings life:	400 x 10 ⁶ rev. min. (10 ⁹ rev. min. with 20 N shaft loading max.)
Electrical connections:	cable output 1 m (3.3 ft)
Weight:	~ 150 g (5,2 oz)
Option:	• additional cable

ELECTRICAL SPECIFICATIONS

Resolution (PPR):	2048-4096-8192-16384-32768-65536-102400-204800
Counting frequency:	500 kHz max.
Output circuits:	Line Driver RS422
Power supply:	+5Vdc±5%
Consumption:	130 mA (typical)
Output current (per channel):	40 mA max.
EMC:	electro-magnetic immunity, according to: EN 61000-4-2 EN 61000-4-4
Optoelectronic life:	100.000 hrs min.

MATERIALS

Flange:	anticorrosive, UNI EN AW-6082
Housing:	anticorrosive, UNI EN AW-6082
Bearings:	ABEC 5
Shaft:	stainless steel, non-magnetic - UNI EN 4305
Light source:	GaAl diodes



CH59

Order code

CH59	-	X Ⓐ	-	XXX Ⓑ	XXX Ⓒ	X Ⓓ	XX Ⓔ	XX Ⓕ	/Sxxx Ⓖ
------	---	--------	---	----------	----------	--------	---------	---------	------------

<p>Ⓐ OUTPUT CIRCUITS L = Line Driver (RS422)</p>	<p>Ⓑ RESOLUTION (PPR) 1 = 2048 2 = 4096 4 = 8192 8 = 16384 16 = 32768 32 = 65536 50 = 102400 100 = 204800</p>	<p>Ⓒ OUTPUT SIGNALS / CONNECTIONS ZCU = ABO, /ABO cable output</p> <p>Ⓓ SUPPLY VOLTAGE 1 = +5V±5% (L output circuit)</p>	<p>Ⓔ SHAFT DIAMETER 12 = 12 mm</p> <p>Ⓕ CABLE LENGTH L1 = cable output 1 m Lx = cable output x m</p> <p>Ⓖ CUSTOM VERSION</p>
--	---	--	--