



- Hollow shaft encoder with integrated shaft coupling
- Expansion shaft for precise mounting
- M23 connector or cable output



CK61

ENVIRONMENTAL SPECIFICATIONS

Shock:	100 g, 6 ms
Vibrations:	10 g, 5-2000 Hz
Protection:	IP65 (mounted)
Operating temperature range:	-25°C +85°C (-13°F +185°F)
Storage temperature range:	-25°C +85°C (-13°F +185°F) (98% R.H. without condensation)
Options:	• Operating temperature range: -40°C +100°C (-40°F +212°F)

MECHANICAL SPECIFICATIONS

Dimensions:	see drawing
Shaft diameter:	Ø 10, 12 mm
Shaft loading (axial, radial):	30 N max.
Shaft rotational speed:	6000 rpm max.
Starting torque at 20°C:	< 1,5 Ncm (typical)
Bearings life:	400 x 10 ⁶ rev. min. (10 ⁹ rev. min. with 20 N shaft loading max.)
Electrical connections:	M23 plug or cable output 1 m (3.3 ft)
Weight:	~ 200 g (7 oz)
Option:	• additional cable

ELECTRICAL SPECIFICATIONS

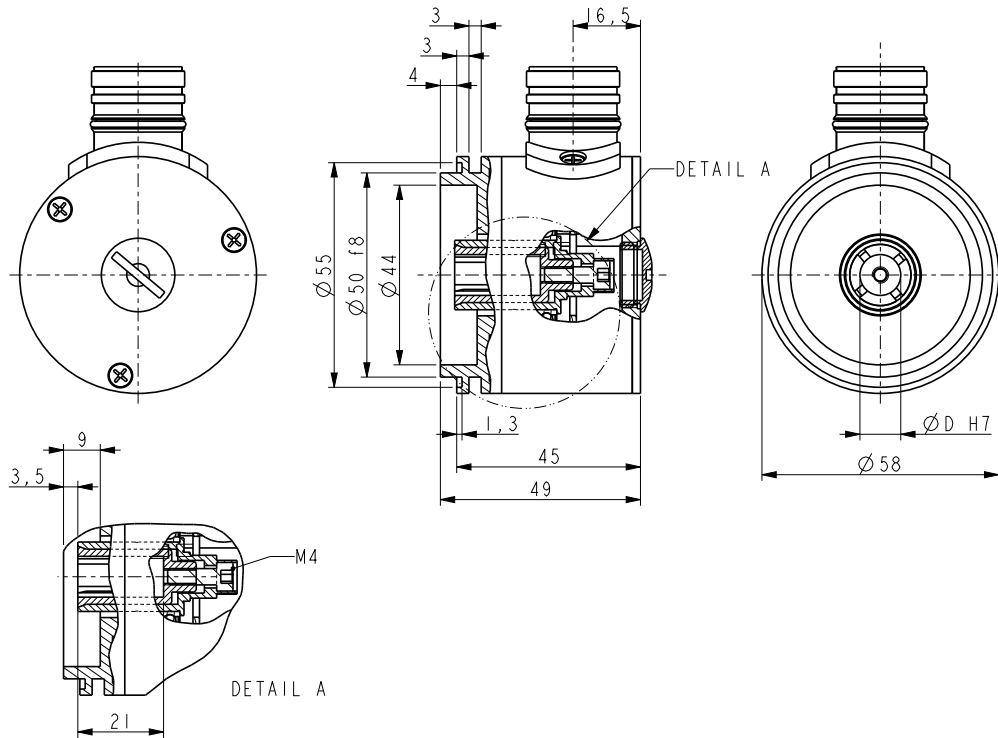
Resolution (PPR):	900-1000-1024-1250-1800-2000-2048 2500-3600-4000-4096-5000
Counting frequency:	100 kHz max.
Output circuits:	Line Driver, Universal circuit
Power supply:	+5V±5%, +5V +30V
Consumption:	70 mA (typical)
Output current (each channel):	40 mA max.
Protection:	against inversion of polarity and short-circuit (except L circuit)
EMC:	electro-magnetic immunity, according to: EN 61000-4-2 EN 61000-4-4
Optoelectronic life:	100.000 hrs min.

MATERIALS

Flange:	anticorrosive, UNI EN AW-6082
Housing:	anticorrosive, UNI EN AW-6082
Bearings:	ABEC 5
Shaft:	brass
Light source:	GaAl diodes

ACCESSORIES

EPFL121:	12 pin M23 mating connector
EC-C12F-LK-I8-x:	cordset x meter, M23 connector
LKM-386:	fixing clamps



CK61

Order code

CK61	-	X Ⓐ	-	XXXXX Ⓑ	XXX Ⓒ	X Ⓓ	XX Ⓔ	X Ⓕ	XX Ⓖ	/Sxxx Ⓗ
------	---	--------	---	------------	----------	--------	---------	--------	---------	------------

Ⓐ OUTPUT CIRCUITS

L = Line Driver (RS422)
H = PP/LD universal circuit

Ⓒ OUTPUT SIGNALS / CONNECTIONS

ZCU = ABO /ABO, cable output
ZCZ = ABO /ABO, M23 12 pin plug

Ⓓ SHAFT DIAMETER

10 = 10 mm
12 = 12 mm

Ⓖ CABLE LENGTH (only with ZCU)

- = cable output 1 m (standard)
L2 = cable output 2 m
Lx = cable output x m

Ⓑ RESOLUTION (PPR)

See electrical specifications

Ⓓ SUPPLY VOLTAGE

1 = +5V±5% (L output circuit)
4 = +5V ÷ +30V (H output circuit)

Ⓔ OPERATING TEMPERATURE

- = -25°C +85°C (-13°F +185°F) standard
K = -40°C +100°C (-40°F +212°F)

Ⓗ CUSTOM VERSION