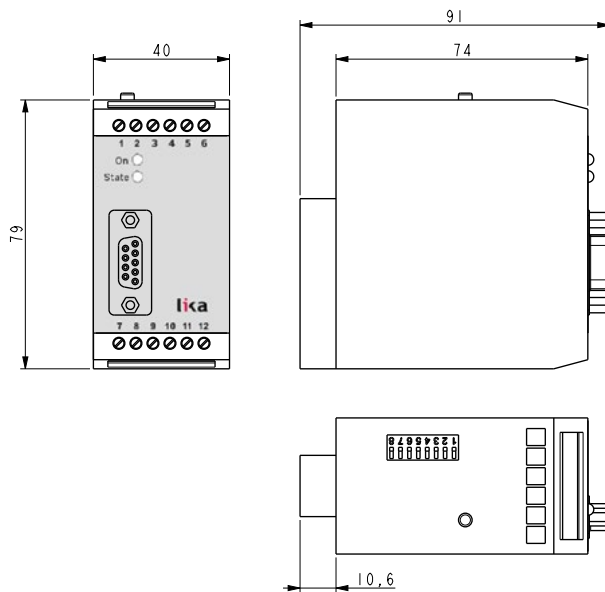
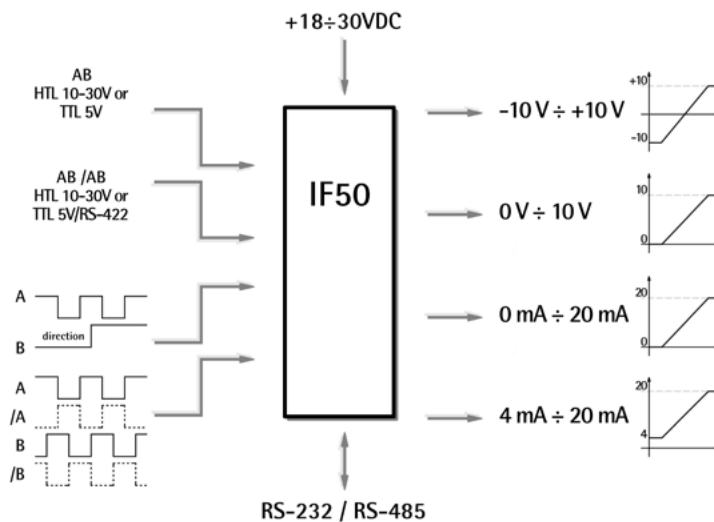


Series

IF50



Order code: IF50



### FUNCTIONS

Incremental quadrature to analogue or RS232/485 conversion, free scaling, linearization curves, teach-in function, encoder supply + 5Vdc

### ENVIRONMENTAL SPECIFICATIONS

Operating temperature range:	0°C +50°C (+32°F +113°F)
Storage temperature range:	-25°C +75°C (-13°F +158°F)
Protection:	IP40

### MECHANICAL SPECIFICATIONS

Dimensions:	see drawing
Electrical connections:	screw terminals, Dsub connectors
Weight:	~ 190 g

### ELECTRICAL SPECIFICATIONS

Power supply:	+18Vdc +30Vdc
Consumption:	85 mA max. (without sensor)
Sensor input:	Line Driver (RS422/TTL diff.), TTL, HTL
Output:	analogue ±10V, 0-10V, 0-20 mA, 4-20 mA
Interface:	RS232/RS485