

# ROTAPULS

Timing belt pulley with integrated encoder

Series

I70



- Integrated pulley encoder with 500 pulses/turn
- HTD type pulley for 20 mm belts
- Extremely robust construction, 1000 N shaft load
- Silent running & long life-time
- Easy assembly by M12 screw and size 21 wrench key



I70

## ENVIRONMENTAL SPECIFICATIONS

Shock:	100 g, 6 ms
Vibrations:	10 g, 5-2000 Hz
Protection:	IP65
Operating temperature range:	-20°C +85°C (-4°F +185°F)
Storage temperature range:	-20°C +85°C (-4°F +185°F) (98% R.H. without condensation)

## MECHANICAL SPECIFICATIONS

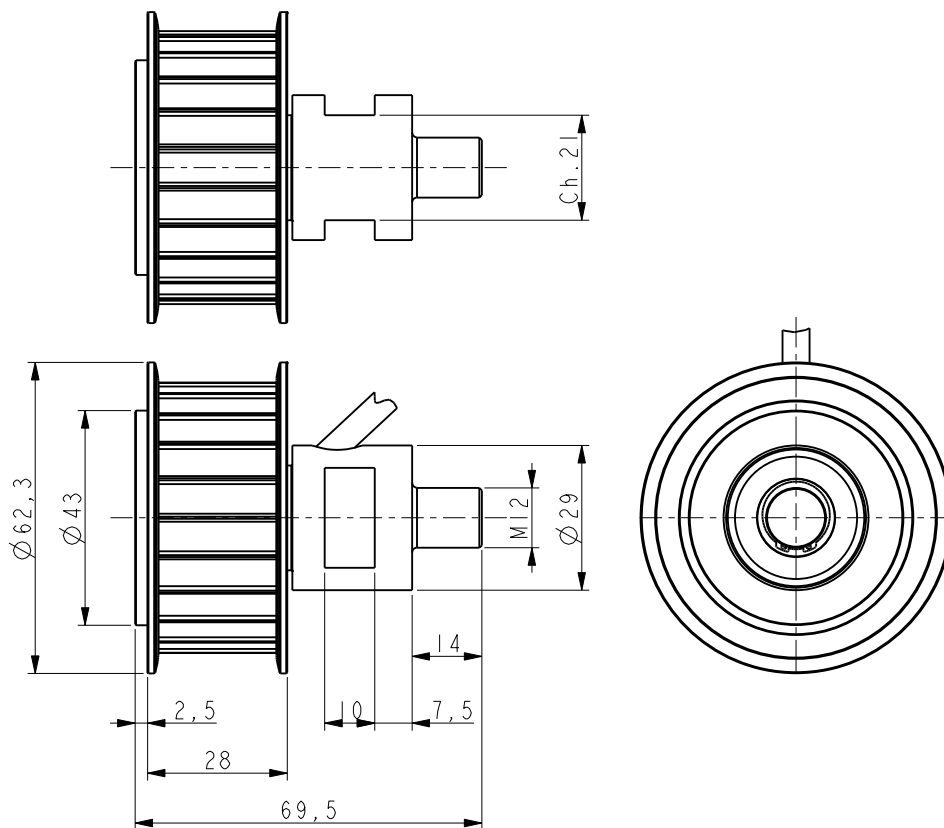
Dimensions:	see drawing
Pulley type:	HTD, 8 mm pitch, 22 teeth, belt width 20 mm
Shaft loading (axial and radial):	1000 N max.
Shaft rotational speed:	5000 rpm max.
Starting torque (at 20°C):	≤ 1,5 Ncm (typical)
Bearings life:	400 x 10 <sup>6</sup> rev. min. (10 <sup>9</sup> rev. min. with 20 N shaft loading max.)
Electrical connections:	cabl e output 1 m (3.3 ft)
Weight:	~ 350 g (12,3 oz)
Option:	• additional cable

## ELECTRICAL SPECIFICATIONS

Resolution (PPR):	500
Counting frequency:	30 kHz max.
Output circuit:	Push-Pull
Power supply:	+10V +30V
Consumption:	70 mA (typical)
Output current (each channel):	40 mA max.
Protection:	against inversion of polarity and short-circuit
EMC:	electro-magnetic immunity, according to: EN 61000-4-2 EN 61000-4-4
Optoelectronic life:	100.000 hrs min.

## MATERIALS

Pulley:	Aluminium
Bearings:	ABEC 5
Shaft:	stainless steel, non-magnetic, AISI 303



170

Order code

170	-	X Ⓐ	-	XXX Ⓑ	XXX Ⓒ	X Ⓓ	XX Ⓔ	XX Ⓕ	/Sxxx Ⓖ
-----	---	--------	---	----------	----------	--------	---------	---------	------------

Ⓐ OUTPUT CIRCUITS

Y = Push Pull

Ⓑ RESOLUTION (PPR)

500

Ⓒ OUTPUT SIGNALS

BNF = AB

Ⓓ SUPPLY VOLTAGE

2 = +10V ÷ +30V

Ⓔ SHAFT FIXING

12 = M12

Ⓕ CABLE LENGTH

L1 = cable output 1 m

Lx = cable output x m

Ⓖ CUSTOM VERSION