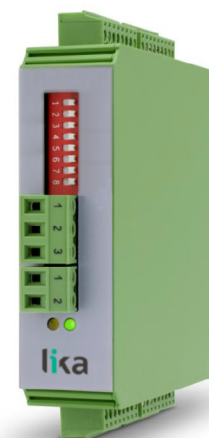
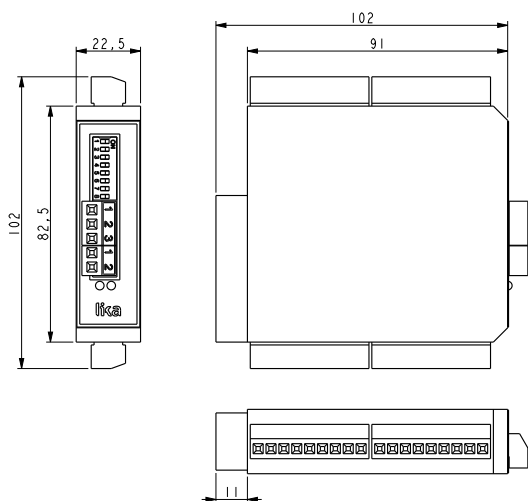
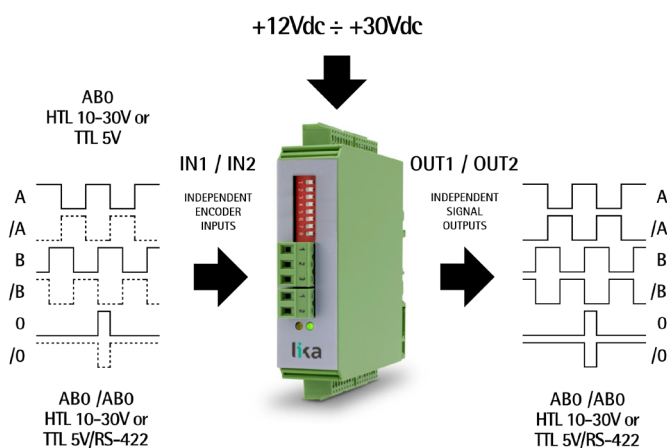


Series

IF10



Order code: IF10



## FUNCTIONS

Encoder signal splitter, signal level converter/repeater and encoder cross switcher

## ENVIRONMENTAL SPECIFICATIONS

Operating temperature range:	-20°C +70°C (-4°F +158°F)
Storage temperature range:	-30°C +75°C (-22°F +167°F)
Protection:	IP20

## MECHANICAL SPECIFICATIONS

Dimensions:	see drawing
Electrical connections:	screw terminals
Weight:	~ 0,1 Kg (3,5 oz)

## ELECTRICAL SPECIFICATIONS

Power supply:	+12Vdc +30Vdc
Consumption:	50 mA (without sensor)
Counting frequency:	RS422 or TTL differential: 1 MHz HTL or TTL: 250 kHz
Sensor input:	see diagram
Output current:	RS422/TTL: 50 mA HTL: max. 30 mA (per output)