

- Multi-function display for SSI encoders
- Position display, linear and angular mode
- Programmable bit blanking
- Digital or analogue outputs
- Multivoltage supply 24Vdc, 115/230Vac
- LD250 SSI display
 - LD251 SSI display with analogue output
 - LD252 SSI display with digital I/O
 - LD253 SSI display with serial interface



LD250

FUNCTIONS

Linear/angular display mode, Bit blanking, Linearization of analogue output, Scaling factor, Round loop function, Switching mode of digital outputs

ENVIRONMENTAL SPECIFICATIONS

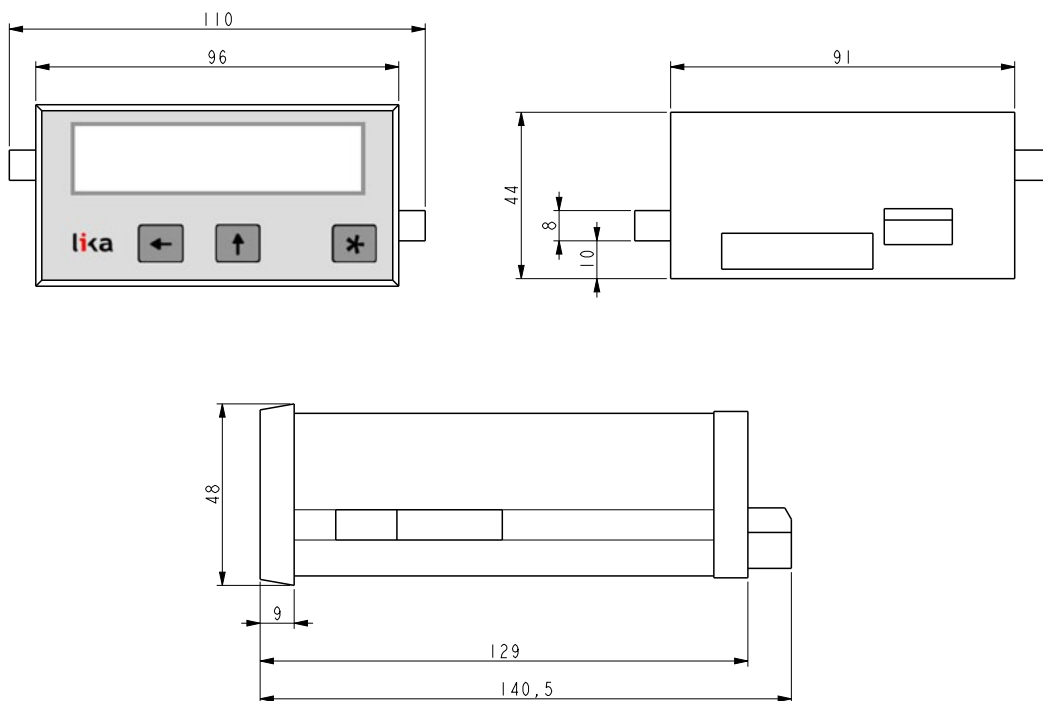
Operating temperature range:	0°C +45°C (+32°F, +113°F)
Storage temperature range:	-20°C +80°C (-4°F, +176°F)
Protection:	IP65 front, IP20 back

MECHANICAL SPECIFICATIONS

Dimensions:	96 x 48 x 141 mm ³
Cut out:	91 x 44 mm ²
Display:	LED, 6 digits x 15 mm (-199999 ÷ 999999)

ELECTRICAL SPECIFICATIONS

Power supply:	24Vdc ± 20%, 115/230 Vac
Consumption:	3,6 W or 7,5 VA (without sensor)
SSI clock rate:	100 kHz max. - 1MHz
Sensor input:	SSI, any protocol, 8 to 32 bit
Interface:	RS232/RS485 (LD253)
Outputs:	LD251: analogue 0/4-20 mA, 0 ±10V LD252: digital PNP 2 x 30V - 150 mA
Input:	LD252: 3 digital inputs (PNP, NPN or Namur)



LD250

Order code

LD250	-	XX	-	XX
LD251		Ⓐ		Ⓑ
LD252				
LD253				

Ⓐ POWER SUPPLY
PM = 24Vdc ±20%, 115/230 Vac

Ⓑ SENSOR INPUT
M5 = SSI (8-32 bit)