

# ROTACOD

Absolute multi turn encoders

Series

AM9 • AMC9



- Compact & flat multi turn encoder
- Resolution up to 8192 cpr x 4096 turns
- Radial M23 connector output
- AM9 with Ø 10 mm solid shaft
- AMC9 with Ø 15 mm through hollow shaft



AMC9 • AM9

## ENVIRONMENTAL SPECIFICATIONS

Shock:	100 g, 6 ms
Vibrations:	10 g, 5-2000 Hz
Protection:	IP65
Operating temperature range:	-25°C +85°C (-13°F +185°F)
Storage temperature range:	-25°C +85°C (-13°F +185°F) (98% R.H. without condensation)

## MECHANICAL SPECIFICATIONS

Dimensions:	see drawing
Shaft diameter:	Ø 10 mm
Hollow shaft diameter:	Ø 15 mm
Reducing sleeves BR1-xx from Ø 15 mm to:	Ø 6, 8, 9.52, 10, 11, 12 mm
Shaft loading (axial, radial):	100 N max.
Shaft rotational speed:	6000 rpm max.
Bearings life:	400x10 <sup>6</sup> rev. min. (10 <sup>9</sup> rev. min. with shaft loading of 20 N max.)
Electrical connections:	M23, 12 pin plug
Weight:	~ 400 g (14,1 oz)

## ELECTRICAL SPECIFICATIONS

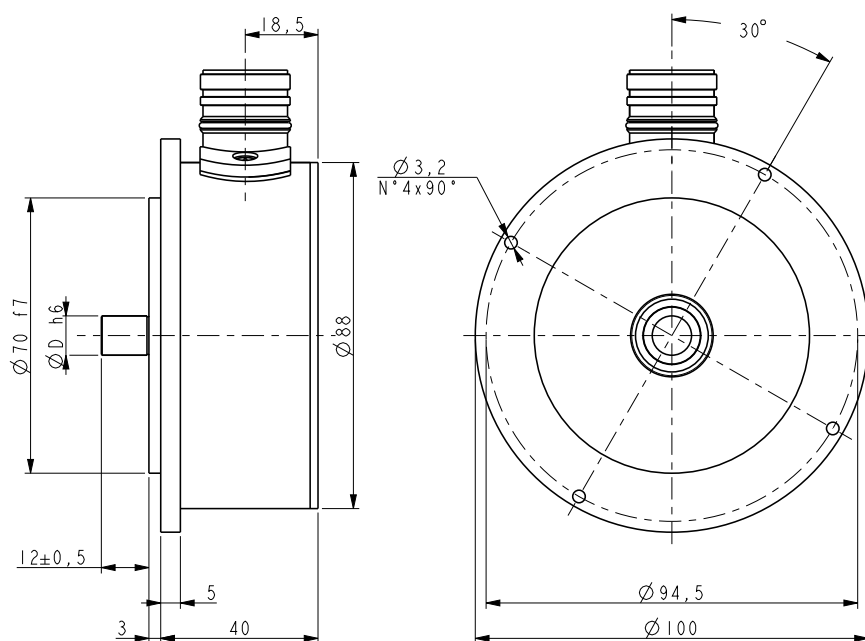
Resolution:	8192 cpr x 4096 turns max.
Accuracy:	± 0,04°
Output circuit:	SSI
Counting frequency:	100 kHz max.
Power supply:	+10V +30V
Power consumption:	1,5 W
Protection:	against inversion of polarity and short circuit
EMC:	electro-magnetic immunity, according to: EN 61000-4-2 EN 61000-4-4
Optoelectronic life:	100.000 h min.
Functions:	• Counting direction (input)
Option:	• Zero setting (input)

## MATERIALS

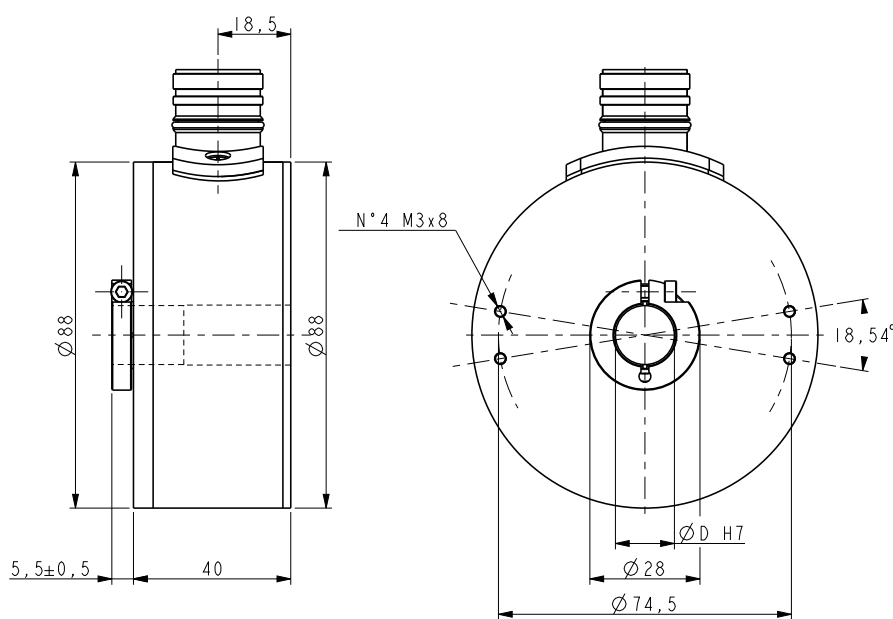
Flange:	anticorrosive, UNI EN AW-6082
Housing:	anticorrosive, UNI EN AW-6082
Bearings:	ABEC 5
Shaft:	stainless steel, non magnetic, UNI EN 4305
Light source:	GaAl diodes

## ACCESSORIES

EPFL121H:	12 pin M23 mating connector
EC-CR12F-S27-A8-xx:	M23 cordset with xx m cable
PAN/PGF:	flexible couplings
BR1:	reducing sleeves



AM9



AMC9

Order code

Additional code (optional)

AM9 AMC9	XX/XXXX Ⓐ	XX Ⓑ	-	XX Ⓒ	-	X Ⓓ	/Sxxx Ⓔ
-------------	--------------	---------	---	---------	---	--------	------------

Ⓐ RESOLUTION

12/4096 = 4096 cpr x 4096 turns  
13/4096 = 8192 cpr x 4096 turns

Ⓑ OUTPUT

BS = SSI tree format, Binary code  
GS = SSI tree format, Gray code  
BA = SSI LSB aligned, Binary code  
GA = SSI LSB aligned, Gray code

Ⓒ SHAFT DIAMETER

10 = 10 mm (only AM9)  
15 = 15 mm (only AMC9)

Ⓓ E = Zero setting

Ⓔ CUSTOM VERSION