

ROTAMAG

Magnetic absolute encoder

Series

MH58S



- Compact heavy-duty encoder
- IP67 protection & extended temperature range
- High shaft load
- Comfortable presetting by push-button
- Suitable for outdoor and offshore installations
- SSI or analogue output
- IP69K protection on request



MH58S

ENVIRONMENTAL SPECIFICATIONS

Shock:	100 g, 6 ms
Vibrations:	10 g, 5-2000 Hz
Protection:	IP67
Operating temperature range:	-40°C +85°C (-40°F +185°F)
Storage temperature range:	-40°C +85°C (-40°F +185°F) (98% R.H. without condensation)

MECHANICAL SPECIFICATIONS

Dimensions:	see drawing
Shaft diameter:	Ø 10 mm
Shaft loading:	axial: 270 N max. radial: 150 N max.
Shaft rotational speed:	6000 rpm max.
Starting torque (at 20°C):	1 Ncm (typical)
Bearings life:	400 x10 ⁶ rev. min. (10 ⁹ rev. min. with 20 N shaft loading max.)
Electrical connections:	M23 12 pin plug, cable output 1 m (3.3 ft)
Weight:	~ 350 g (12,3 oz)
Option:	• additional cable

ELECTRICAL SPECIFICATIONS

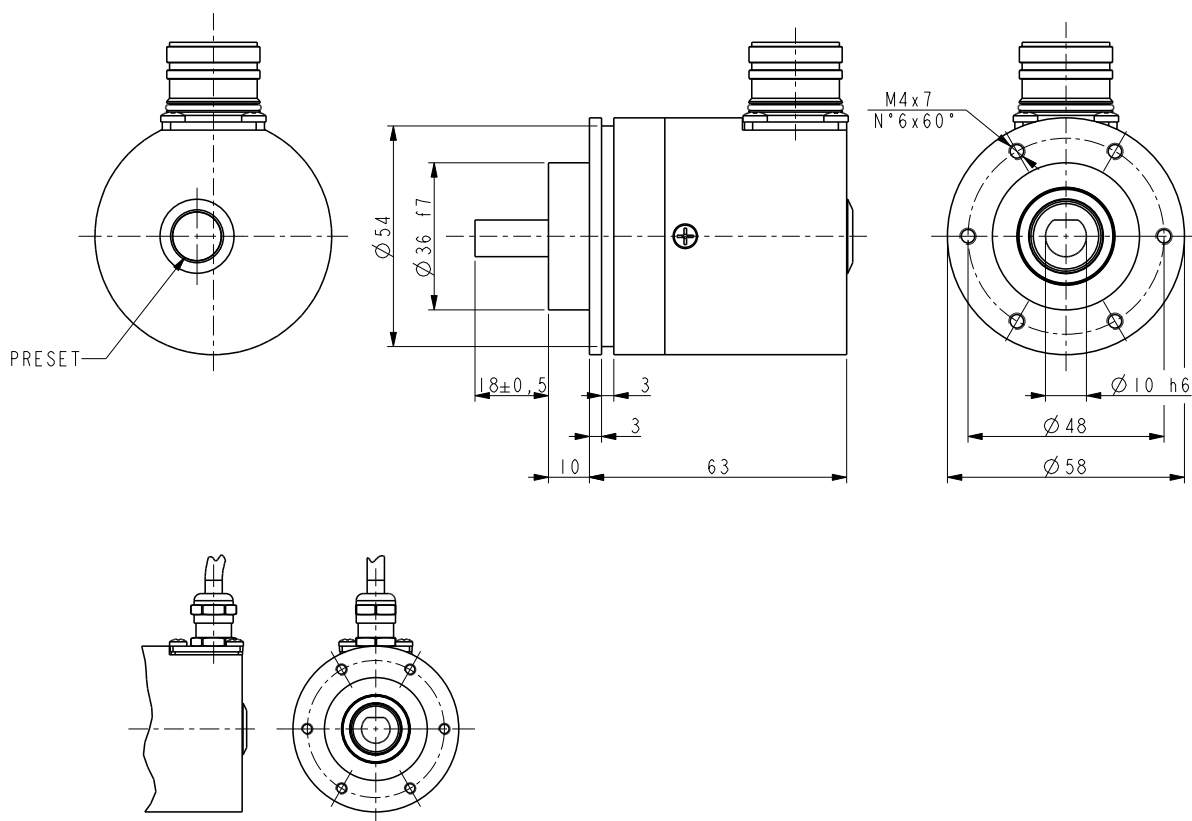
Resolution:	single turn: 4096 cpr multi turn: 4096 x 4096 bit
Start-up time:	200 msec
Accuracy:	± 0,9°
Output circuits:	SSI: SSI, Gray, Clock 1 MHz max. Analogue: 0-5V, 0-10V, -5/+5V, -10/+10V, 0-20mA, 0-24mA
Counting frequency:	100 kHz max.
Power supply:	SSI: +10Vdc +30Vdc Analogue: +13Vdc +30Vdc
Protection:	protected against inversion of polarity, short-circuit
EMC:	electro-magnetic immunity, according to: EN-61000-4-2 EN-61000-4-4
Battery life:	10 years min.
Functions:	• Counting direction (input) • Zero setting button (input)

MATERIALS

Flange:	anticorodal, EN AW-6082 (UNI EN 573)
Housing:	anticorodal, EN AW-6082 (UNI EN 573)
Bearings:	ABEC 5
Shaft:	stainless steel, non-magnetic - UNI EN 4305

ACCESSORIES

PAN/PGF:	flexible couplings
EPFL121H:	M23 12 pin mating connector



MH58S

Order code - Analogue output

MH58S	XX/X a	XXX b	-	XX c	-	X d	X e	/Sxxx f
-------	-----------	----------	---	---------	---	--------	--------	------------

<p>Ⓐ RESOLUTION 12/1 = 4096 cpr</p>	<p>Ⓑ OUTPUT AI1 = 4-20mA AI2 = 0-20mA AI3 = 0-24mA AV1 = 0-5V AV2 = 0-10V AV3 = -5/+5V AV4 = -10/+10V</p>	<p>Ⓒ SHAFT DIAMETER 10 = 10 mm</p> <p>Ⓓ CONNECTOR POSITION R = radial</p>	<p>Ⓔ CONNECTIONS L1 = cable output 1 m (standard) L2 = cable output 2 m Lx = cable output x m M2 = M23 12 pin plug</p> <p>Ⓕ CUSTOM VERSION</p>
---	---	---	--

Order code - SSI output

MH58S	XX/XXXX a	XX b	-	XX c	-	XX d	X e	/Sxxx f
-------	--------------	---------	---	---------	---	---------	--------	------------

<p>Ⓐ RESOLUTION 12/1 = 4096 cpr 12/4096 = 4096 cpr x 4096 rev</p> <p>Ⓑ OUTPUT CODE GS = Gray, SSI tree format</p>	<p>Ⓒ SHAFT DIAMETER 10 = 10 mm</p> <p>Ⓓ CONNECTOR POSITION R = radial</p>	<p>Ⓔ CONNECTIONS L1 = cable output 1 m (standard) L2 = cable output 2 m Lx = cable output x m M2 = M23 12 pin plug</p> <p>Ⓕ CUSTOM VERSION</p>
---	---	--