

ROTAMAG

Magnetic absolute encoder

Series

MM36 • MMC36



- Absolute multi-turn magnetic encoder
- Very compact and robust housing
- Outer diameter 36mm
- Resolution up to 8192 counts/rev and up to 65536 rev, SSI interface
- Zero setting and counting direction function
- Axial cable output
- MM36: solid shaft version
- MMC36: blind hollow shaft version, Ø 6mm



MMC36 • MM36

ENVIRONMENTAL SPECIFICATIONS

Shock:	100 g, 6 ms
Vibrations:	10 g, 5-2000 Hz
Protection:	IP65
Operating temperature range:	-20°C +85°C (-4°F +185°F)
Storage temperature range:	-20°C +85°C (-4°F +185°F) (98% R.H. without condensation)
Option:	• protection IP67

MECHANICAL SPECIFICATIONS

Dimensions:	see drawing
Shaft diameter:	Ø 6 mm
Shaft loading (axial, radial):	20 N max.
Shaft rotational speed:	12000 rpm max.
Starting torque (at 20°C):	0,1 Ncm
Bearing life:	10 ⁹ rev.min
Electrical connections:	M12 8 pin inline plug or cable output 1 m (3.3 ft)
Weight:	~ 100 g (3,5 oz)
Option:	• additional cable

ELECTRICAL SPECIFICATIONS

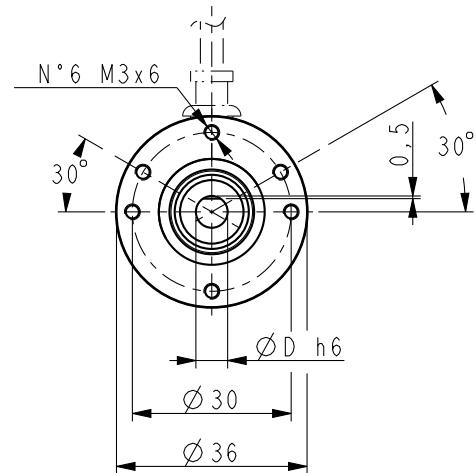
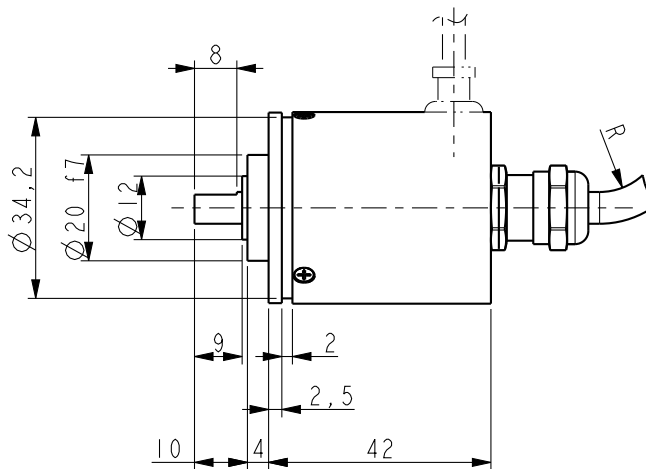
Resolution:	1024 counts/rev. x 32768 rev. 2048 cpr x 16384 rev. 4096 cpr x 8192 rev. 8192 cpr x 65536 rev.
Accuracy:	± 1°
Output circuit:	SSI (clock 300 kHz max., T _p =64 µsec.)
Output codes:	Gray, Binary
Counting frequency:	10 kHz max.
Start-up time:	~ 200 msec.
Power supply:	+10Vdc +30Vdc
Power consumption:	25 mA max.
Protection:	protected against inversion of polarity
EMC:	electro-magnetic immunity, according to: EN 61000-4-2 EN 61000-4-4
Battery life:	10 years min.
Functions:	• Counting direction (input) • Electronic zero setting (input)

MATERIALS

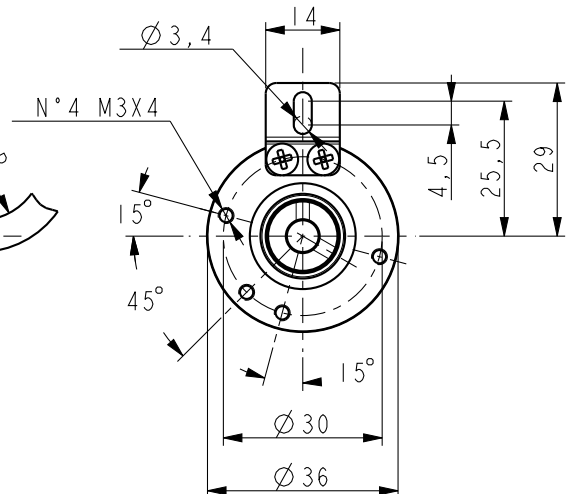
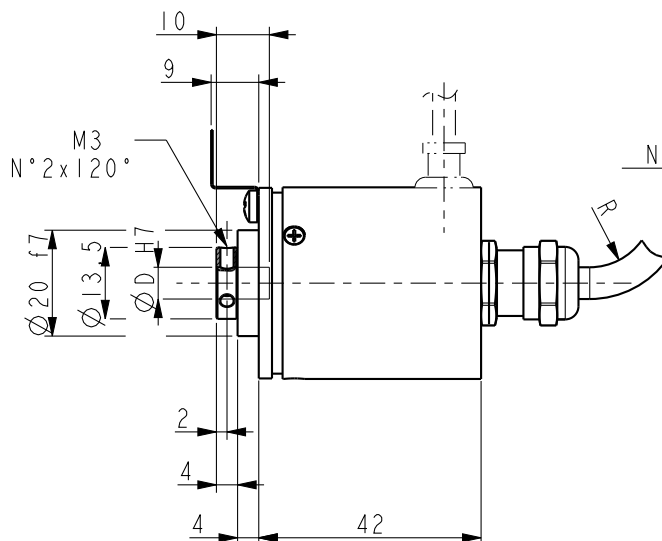
Flange:	anticorrosive, UNI EN AW-6082
Housing:	anticorrosive, UNI EN AW-6082
Bearings:	ABEC 5
Shaft:	stainless steel, non magnetic, UNI EN 4305

ACCESSORIES

PAN/PGF:	Flexible couplings
----------	--------------------



MM36



MMC36

Order code

MM36 MMC36	XX/XXXXX Ⓐ	XX Ⓑ	-	X Ⓒ	-	X Ⓓ	X Ⓔ	XX Ⓕ	/Sxxx Ⓖ
---------------	---------------	---------	---	--------	---	--------	--------	---------	------------

Ⓐ RESOLUTIONS

10/32768 = 1024 CPR x 32768 rev.
 11/16384 = 2048 CPR x 16384 rev.
 12/8192 = 4096 CPR x 8192 rev.
 13/65536 = 8192 cpr x 65536 rev.

Ⓑ OUTPUT

BB = Binary, SSI (LSB aligned) up to 25 bits
 GB = Gray, SSI (LSB aligned) up to 25 bits
 BG = Binary, SSI (MSB aligned) greater than 25 bits
 GG = Gray, SSI (MSB aligned) greater than 25 bits

Ⓒ SHAFT DIAMETER

6 = 6 mm

Ⓓ CONNECTION POSITION

- = axial
 R = radial

Ⓔ PROTECTION

- = IP65 (standard)
 J = IP67 (with sealed circuit)

Ⓕ CONNECTIONS

L1 = cable output 1 m cable (standard)
 L2 = cable output 2 m
 Lx = cable output x m
 M0,5 = 0,5 m cable + M12 8 pin inline plug
 M2 = 2 m cable + M12 8 pin inline plug

Ⓖ CUSTOM VERSION