

# ROTAMAG

Magnetic absolute encoders

Series

MS36 • MSC36



- Magnetic sensing
- Absolute single-turn encoder
- Resolution 8192 counts/rev, SSI interface
- Protection up to IP67 with sealed circuit
- MS36: solid shaft version
- MSC36: blind hollow shaft version, Ø 6mm



MS36 • MSC36

## ENVIRONMENTAL SPECIFICATIONS

Shock:	100 g, 6 ms
Vibration:	10 g, 5-2000 Hz
Protection:	IP65
Operating temperature range:	-20°C +85°C (-4°F +185°F)
Storage temperature range:	-20°C +85°C (-4°F +185°F) (98% R.H. without condensation)
Option:	• Protection IP67

## MECHANICAL SPECIFICATIONS

Dimensions:	see drawing
Shaft diameter:	Ø 6 mm
Shaft loading (axial, radial):	20 N max.
Shaft rotational speed:	12000 rpm max.
Starting torque (at 20°C):	0,1 Ncm
Bearings life:	10 <sup>9</sup> rev. min.
Electrical connections:	M12 8 pin inline plug or cable output 1 m (3.3 ft)
Weight:	~ 100 g (3,5 oz)
Option:	• additional cable

## ELECTRICAL SPECIFICATIONS

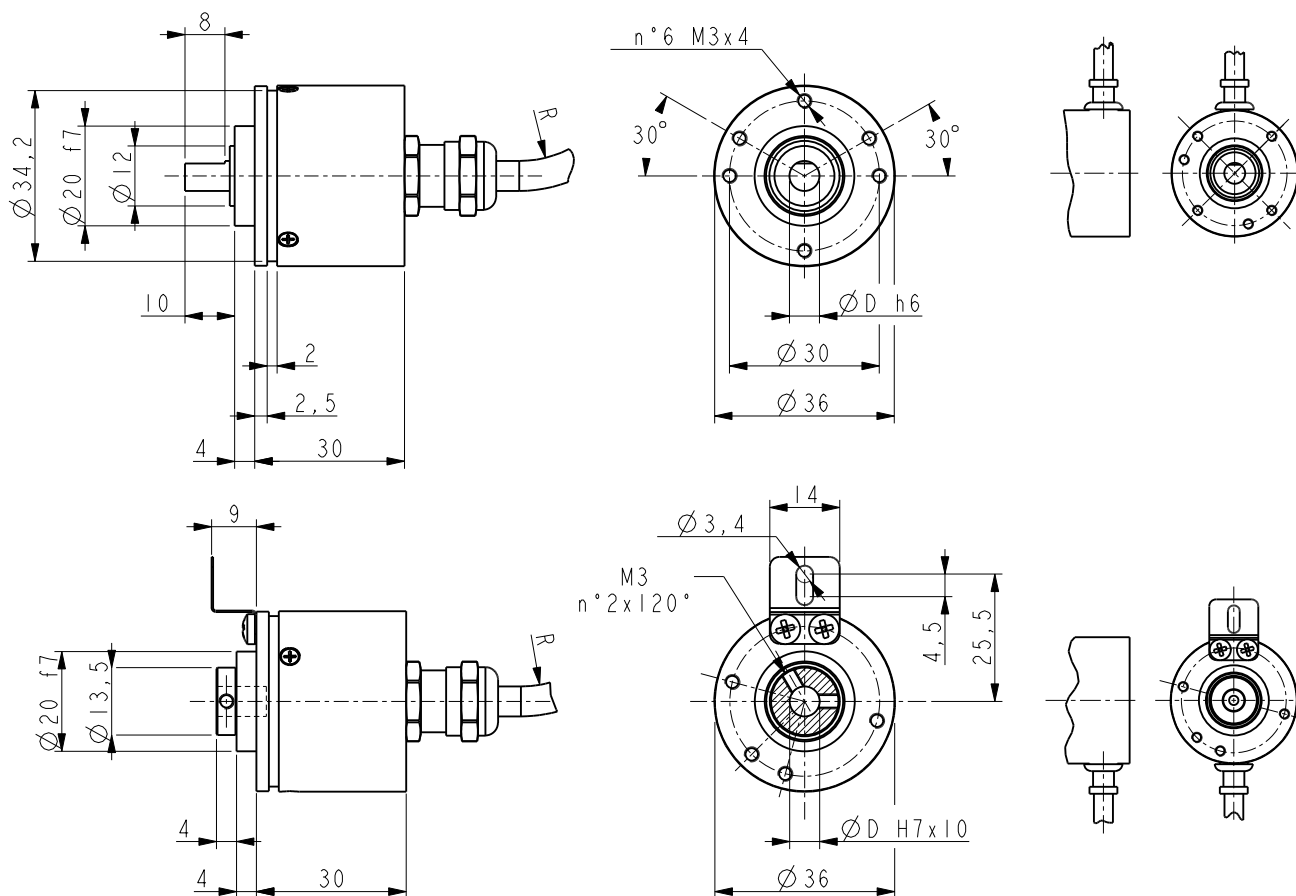
Resolution:	8192 counts/rev.
Accuracy:	± 0,9°
Output circuit:	SSI, 13 bit
Output code:	Binary
Power supply:	+10Vdc +30Vdc
Power consumption:	65 mA max.
Protection:	protected against inversion of polarity
EMC:	electro-magnetic immunity, according to: EN 61000-4-2 EN 61000-4-4

## MATERIALS

Flange:	anticorrosive, UNI EN AW-6082
Housing:	anticorrosive, UNI EN AW-6082
Bearings:	ABEC 5
Shaft:	stainless steel, non magnetic, UNI EN 4305

## ACCESSORIES

PAN/PGF:	Flexible couplings
----------	--------------------



MS36

MSC36

Order code

MS36 MSC36	XX Ⓐ	/	XX Ⓑ	-	X Ⓒ	-	X Ⓓ	X Ⓔ	XXX Ⓕ	/Sxxx Ⓖ
---------------	---------	---	---------	---	--------	---	--------	--------	----------	------------

Ⓐ RESOLUTIONS

13 = 8192 counts/rev.

Ⓑ OUTPUT

BR = Binary, SSI (tree format)

Ⓒ SHAFT DIAMETER

6 = 6 mm

Ⓓ CONNECTION POSITION

- = axial  
R = radial

Ⓒ PROTECTION

- = IP65 (standard)  
J = IP67 (with sealed circuit)

Ⓕ CONNECTIONS

L1 = cable output 1 m cable (standard)  
L2 = cable output 2 m  
Lx = cable output x m  
M0,5 = 0,5 m cable + M12 8 pin inline plug  
M2 = 2 m cable + M12 8 pin inline plug

Ⓖ CUSTOM VERSION