



- Standard encoder for linear position measurement
- Two integrated limit switch sensors
- Gap clearance up to 2.0 mm
- Lika hi-flex sensor cable for drag cable chains
- Status LED for clearance and gap error
- Reference and limit switch marks to be installed along the magnetic tape
- Optional tape cleaning wipers



SME52

### ENVIRONMENTAL SPECIFICATIONS

Shock:	250 g, 6 ms acc. to CEI EN 60068-2-27
Vibrations:	10 g, 5-2000 Hz acc. to CEI EN 60068-2-6
Protection:	IP67
Operating temperature range:	-25°C ÷ +85°C (-13°F +185°F)
Storage temperature range:	-40°C ÷ +100°C (-40°F +212°F)

### MECHANICAL SPECIFICATIONS

Dimensions:	see drawing
Housing material:	die cast aluminium, UNI EN AC-46100
Electrical connections:	Lika Hi-flex cable M10, 2,0 m
Gap between sensor/tape (without cover strip):	0,1 ÷ 2,0 mm
Travel speed (mechanical):	max 16 m/s
Measurement length:	Tape length -5 mm each side

### ELECTRICAL SPECIFICATIONS

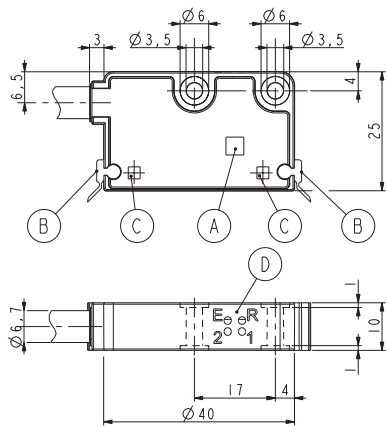
Resolution:	0,05 / 0,025 / 0,01 / 0,005 mm
Sensor accuracy:	±15 µm max.
Repeat accuracy:	±1 increment
Output circuits:	Line Driver, Push-Pull
Output signals:	AB0 /AB0 + LS1, LS2 (o.c. 50 mA)
Counting frequency:	acc. to edge distance setting
Power supply:	+5Vdc ±5%, +10Vdc ÷ +30Vdc
Power consumption:	80 mA max.
Protection:	against inversion of polarity (except 5Vdc version) and short-circuit
EMC:	acc. to EN 61000-6-2 level 3

### ACCESSORIES

MT50:	Magnetic tape
LKM-1309/5:	Reference pole support
LKM-1309/LS	Limit switch support
KIT LKM-1440:	Set of tape terminals
KIT WIPERS:	Wipers for SMExx/SMSxx (10 pcs)
KIT PS1-1,0:	Protection profile (10 pcs)

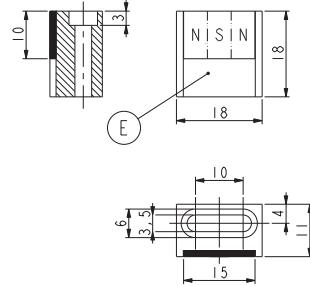
### Edge distance selection

Order code	Edge distance (µsec)	Max. counting frequency (kHz)	Resolution (µm) vs. max. possible speed (m/s)			
			5	10	25	50
H	0,3	3333	11,67	23,34	25,00	25,00
J	0,5	2000	7,00	14,00	25,00	25,00
A	1	1000	3,50	7,00	17,50	17,50
B	2	500	1,67	3,34	8,35	8,35
C	4	250	0,88	1,75	4,38	4,38



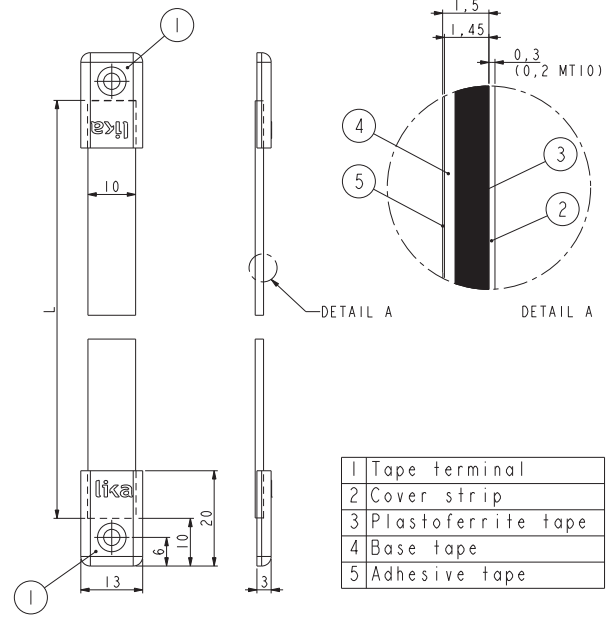
A	Reference sensor "R"
B	Dust wipers
C	Limit switch sensors
D	Diagnostic LEDES
E: Gap/Speed error (red)	
R: Reference detection (green)	
1: Limit switch (green)	
2: Limit switch (green)	

SME52



E Tape position on LKMI309/LS

LKM-1309/5 • LKM-1309/LS



1	Tape terminal
2	Cover strip
3	Plastoferrite tape
4	Base tape
5	Adhesive tape

MT50

Order code - Sensor

SME52	-	XX	-	X	-	XX	-	X	-	XX	-	X	/Sxxx
		(a)		(b)		(c)		(d)		(e)		(f)	(g)

<p><b>(a) OUTPUT CIRCUITS</b>                  Y = Push-Pull (AB)                  YC = Push-Pull (AB, /AB)                  L = Line Driver (AB, /AB)</p> <p><b>(b) POWER SUPPLY</b>                  1 = +5Vdc ±5% (L output circuit)                  2 = +10Vdc ÷ +30Vdc (Y and YC output circuit)</p>	<p><b>(c) RESOLUTION</b>                  50 = 0,05 mm (50 µm)                  25 = 0,025 mm (25 µm)                  10 = 0,01 mm (10 µm)                  5 = 0,005 mm (5 µm)</p> <p><b>(d) INDEX</b>                  R = unique reference signal</p> <p><b>(e) CONNECTIONS</b>                  L2 = cable output 2 m                  L5 = cable output 5 m                  Lx = cable output x m</p>	<p><b>(f) EDGE DISTANCE (see edge distance selection)</b>                  H = 0,3 µs                  J = 0,5 µs                  A = 1 µs                  B = 2 µs (standard value)                  C = 4 µs</p>	<p><b>(g) CUSTOM VERSION</b></p>
--	--	--	----------------------------------

Order code - Magnetic tape

MT50	-	XXX	-	XXX	-	X	-	/Sxxx
		(a)		(b)		(c)		(d)

<p><b>(a) LENGTH</b>                  1 = 1,0 m      20 = 20,0 m                  2 = 2,0 m      30 = 30,0 m                  4 = 4,0 m      50 = 50,0 m                  10 = 10,0 m    100 = 100,0 m</p>	<p><b>(b) ACCURACY CLASS</b>                  100 = ±85 µm/m                  50 = ±35 µm/m (up to 30 m)                  10 = ±8 µm/m (up to 10 m)</p>	<p><b>(c) COVER STRIP</b>                  0 = not supplied                  1 = supplied</p>	<p><b>(d) CUSTOM VERSION</b></p>
--	---	---	----------------------------------