



- Guided incremental encoder
- No mechanical alignment necessary
- Easy installation
- One side fixing of profile
- Unaffected by dust, debris or liquids
- Resolution up to 5 µm



SMIG • MTIG

ENVIRONMENTAL SPECIFICATIONS

Shock:	250 g, 6 ms acc. to CEI EN 60068-2-27
Vibrations:	10 g, 5-2000 Hz acc. to CEI EN 60068-2-6
Protection:	IP65
Operating temperature range:	-25°C ÷ +85°C (-13°F +185°F)
Storage temperature range:	-40°C ÷ +100°C (-40°F +212°F)
Option:	Protection IP67 (sealed circuits)

MECHANICAL SPECIFICATIONS

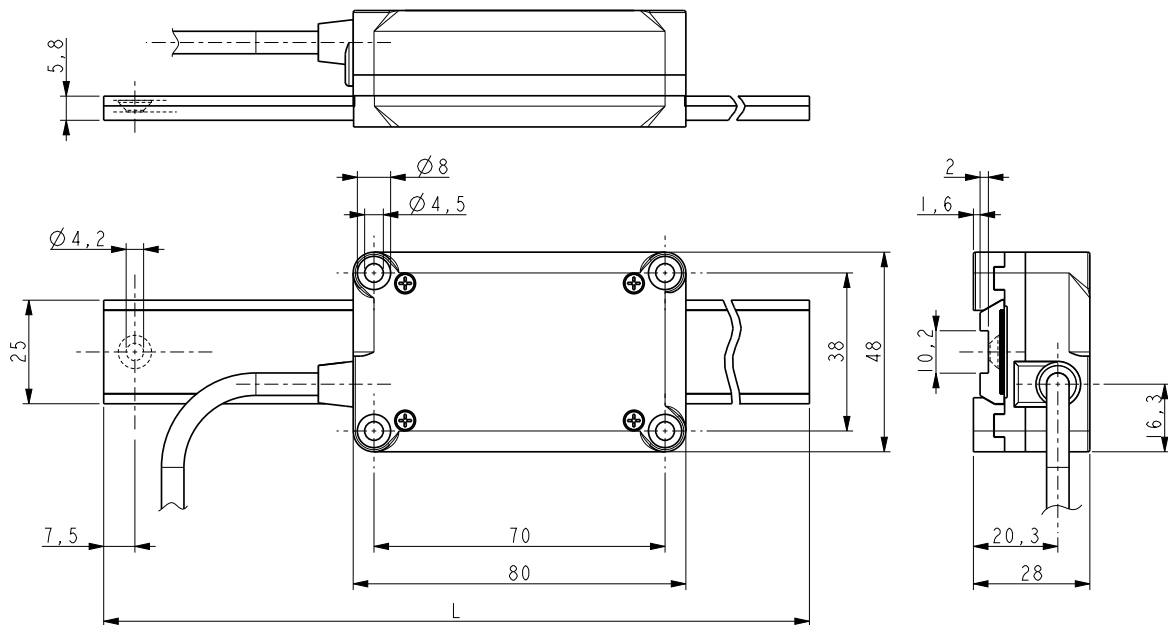
Dimensions:	see drawing
Material:	Sensor: Nylon 6FC 30%, Profile: aluminium
Electrical connections:	Lika Hi-flex cable M8 2,0 m or M12 8 pin inline plug
Travel speed (mechanical):	0,5 m/s typ., 1 m/s max.
Measurement length:	Profile length -80 mm

ELECTRICAL SPECIFICATIONS

Resolution:	0,05 / 0,025 / 0,01 / 0,005 mm
System accuracy (SMIG + MTIG):	±50 µm max.
Repeat accuracy:	± 1 increment
Output circuits:	Line Driver, Push-Pull
Output signals:	AB0 /AB0
Counting frequency:	500 kHz
Power supply:	+5Vdc ±5%, +10Vdc ÷ +30Vdc
Power consumption:	70 mA max.
Protection:	against inversion of polarity (except 5Vdc version) and short-circuit
EMC:	acc. to EN 61000-6-2 level 3

ACCESSORIES

MTIG:	Magnetic profile
E-M12F8:	M12 8 pin mating connector
EC-M12F8-LK-M8-5:	cordset 5 meters with M12 conn.
EC-M12F8-LK-M8-10:	cordset 10 meters with M12 conn.



SMIG • MTIG

Order code - Sensor

SMIG	-	XX a	-	X b	-	XX c	-	X d	-	X e	-	XXX f	/Sxxx g
------	---	---------	---	--------	---	---------	---	--------	---	--------	---	----------	------------

a OUTPUT CIRCUITS

YC = Push-Pull (ABI, /ABI)
L = Line Driver (ABI, /ABI)

b POWER SUPPLY

1 = +5Vdc $\pm 5\%$ (L output circuit)
2 = +10Vdc \div +30Vdc (YC output circuit)

c RESOLUTION

50 = 0,05 mm
25 = 0,025 mm
10 = 0,01 mm
5 = 0,005 mm

d INDEX

N = without
I = every 5 mm

e PROTECTION

- = IP65 (standard)
J = IP67 (with sealed circuit)

f CONNECTIONS

L2 = cable output 2 m
Lx = cable output x m
M0,5 = 0,5 m cable + M12 inline plug
M2 = 2 m cable + M12 inline plug

g CUSTOM VERSION

Order code - Magnetic profile

MTIG	-	XXX a	-	XX b	-	X c	/Sxxx d
------	---	----------	---	---------	---	--------	------------

a PROFILE LENGTH

195 = 195 mm (ML = 105 mm)
220 = 220 mm (ML = 140 mm)
240 = 240 mm (ML = 160 mm)
300 = 300 mm (ML = 220 mm)
370 = 370 mm (ML = 290 mm)
650 = 650 mm (ML = 570 mm)

b ACCURACY CLASS

50 = $\pm 50\mu\text{m}$ (SMIG+MTIG)

c COVER STRIP

1 = supplied

d CUSTOM VERSION