

- Guided measurement system
- Absolute sensing without referencing
- CANopen & SSI interface
- Resolution up to 5  $\mu\text{m}$
- Measurement length from 115 to 570 mm
- Easy installation with 1 fixing point
- Non-linear movement possible
- Unaffected by dust, debris or liquids



SMAG

### ENVIRONMENTAL SPECIFICATIONS

Shock:	250 g, 6 ms acc. to CEI EN 60068-2-27
Vibrations:	10 g, 5-2000 Hz acc. to CEI EN 60068-2-6
Protection:	IP65
Operating temperature range:	-25°C +85°C (-13°F +185°F)
Storage temperature range:	-40°C +100°C (-40°F +212°F)
Options:	Protection IP67 (sealed circuits)

### MECHANICAL SPECIFICATIONS

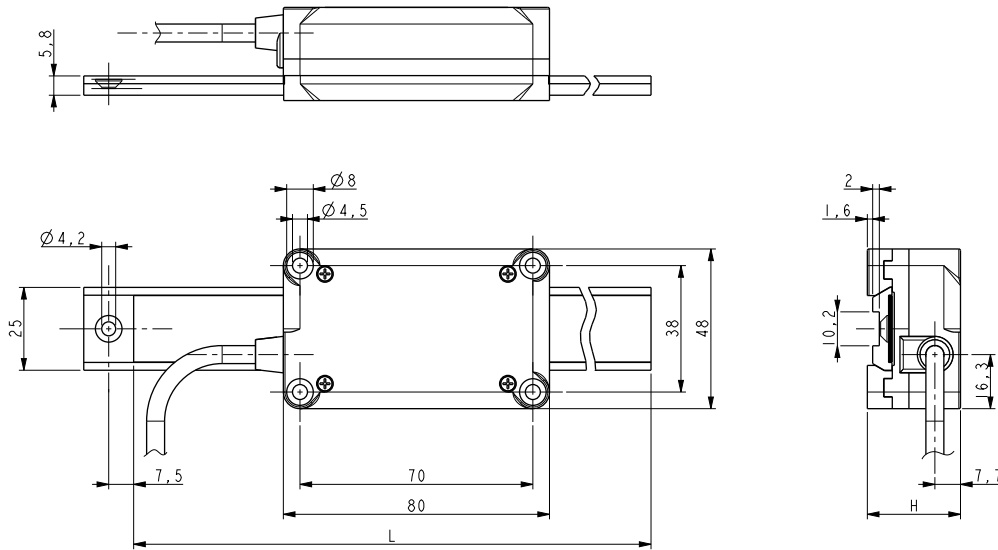
Dimensions:	see drawing
Housing material:	Sensor: Nylon 6FC 30%, Profile: aluminium
Electrical connection:	Lika Hi-flex cable M8 2,0 m or M12 8 pin inline plug
Travel speed (mechanical):	typ. 0,5 m/s - max. 1m/s
Measurement length:	Measurement length = profile length - 80 mm

### ELECTRICAL SPECIFICATIONS

Resolution:	CANopen: 5 $\mu\text{m}$ (programmable) SSI: 100, 50, 10, 5 $\mu\text{m}$
Sensor accuracy:	$\pm 15 \mu\text{m}$ max.
Repeat accuracy:	$\pm 1$ increment
Output circuits:	CANopen, SSI
Power supply:	+10Vdc $\div$ +30Vdc
Power consumption:	1 W max.
Protection:	against inversion of polarity and short-circuit
EMC:	acc. to EN 61000-6-2 level 3
Functions:	Zero setting, Counting direction

### ACCESSORIES

MTAG:	Magnetic profile
EM12F8:	M12 8 pin mating connector
EC-M12F8-LK-M8-5:	cordset 5 meters with M12 conn.
EC-M12F8-LK-M8-10:	cordset 10 meters with M12 conn.



Series	L	H
SMAG - CB	see profile length	35 mm
SMAG - GA	see profile length	28 mm

SMAG

Order code - CANopen version

SMAG	-	XX ⓐ	-	X ⓑ	-	XX ⓒ	/Sxxx ⓓ
------	---	---------	---	--------	---	---------	------------

ⓐ OUTPUT CIRCUIT CB = CANopen interface	ⓑ RESOLUTION 5 = 0,005 mm	ⓒ CONNECTIONS L2 = cable output 2 m L5 = cable output 5 m Lx = cable output x m	ⓓ CUSTOM VERSION
--	------------------------------	--	------------------

Order code - SSI version

SMAG	-	XX ⓐ	-	XXX ⓑ	-	X ⓒ	-	XX ⓓ	/Sxxx ⓔ
------	---	---------	---	----------	---	--------	---	---------	------------

ⓐ OUTPUT CIRCUIT GA = Gray, SSI, LSB aligned	ⓑ RESOLUTION 100 = 0,1 mm 50 = 0,05 mm 10 = 0,01 mm 5 = 0,005 mm	ⓒ PROTECTION - = IP65 (standard) J = IP67 (with sealed circuit)	ⓓ CONNECTIONS L2 = cable output 2 m L5 = cable output 5 m Lx = cable output x m M0,5 = cable output 0,5 m with M12 8 pin conn. M2 = cable output 2 m with M12 8 pin connector	ⓔ CUSTOM VERSION
---	--	---	--	------------------

Order code - Profile

MTAG	-	XXX ⓐ	-	XX ⓑ	-	X ⓒ	/Sxxx ⓓ
------	---	----------	---	---------	---	--------	------------

ⓐ PROFILE LENGTH 195 = 195 mm (ML = 115mm) 220 = 220 mm (ML = 140mm) 240 = 240 mm (ML = 160mm)	ⓑ ACCURACY CLASS 35 300 = 300 mm (ML = 220mm) 370 = 370 mm (ML = 290mm) 650 = 650 mm (ML = 570mm)	ⓒ COVER STRIP 1 = supplied	ⓓ CUSTOM VERSION
---	---	-------------------------------	------------------