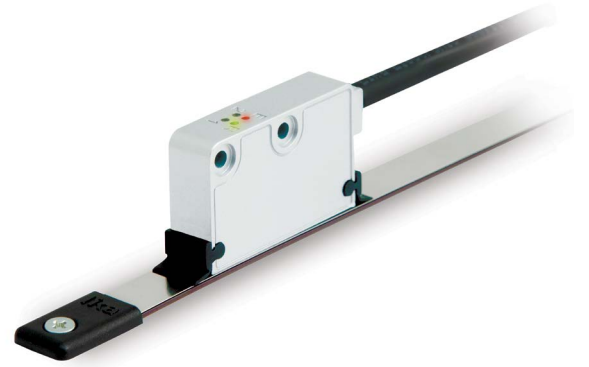


Series

SME12



- 2 integrated limit switch sensors
- High performance encoder for linear motors
- Lika hi-flex sensor cable
- Status LED for clearance error
- Reference and limit switch marks to be installed along the magnetic tape
- Resolution up to 0,5 μm
- Optional tape cleaning wipers



SME12

ENVIRONMENTAL SPECIFICATIONS

Shock:	250 g, 6 ms acc. to CEI EN 60068-2-27
Vibrations:	10 g, 5-2000 Hz acc. to CEI EN 60068-2-6
Protection:	IP67
Operating temperature range:	-25°C ÷ +85°C (-13°F +185°F)
Storage temperature range:	-40°C ÷ +100°C (-40°F +212°F)

MECHANICAL SPECIFICATIONS

Dimensions:	see drawing
Housing material:	die cast aluminium, UNI EN AC-46100
Electrical connections:	Lika Hi-flex cable M10, 2,0 m
Gap between sensor/tape (without cover strip):	0,1 ÷ 0,5 mm
Travel speed (mechanical):	max 16 m/s
Measurement length:	Tape length -5 mm each side

ELECTRICAL SPECIFICATIONS

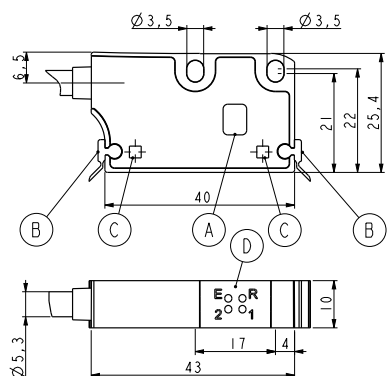
Resolution:	0,01 / 0,005 / 0,002 / 0,001 / 0,0005 mm
Sensor accuracy:	±15 μm max.
Repeat accuracy:	±1 increment
Output circuits:	Line Driver, Push-Pull
Output signals:	AB0 /AB0 + LS1, LS2 (o.c. 50 mA)
Counting frequency:	acc. to edge distance setting
Power supply:	+5Vdc ±5%, +10Vdc ÷ +30Vdc
Power consumption:	80 mA max.
Protection:	against inversion of polarity (except 5Vdc version) and short-circuit
EMC:	acc. to EN 61000-6-2 level 3

ACCESSORIES

MT10:	Magnetic tape
LKM-1309/1:	Reference pole support
LKM-1309/LS	Limit switch support
KIT LKM-1440:	Set of tape terminals (10 pcs)
KIT WIPERS:	Wipers for SMExx/SMSxx (10 pcs)

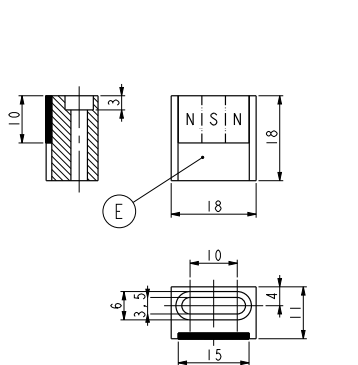
Edge distance selection

Order code	Edge distance (μsec)	Max. counting frequency (kHz)	Resolution (μm) vs. max. possible speed (m/s)				
			0,5	1	2	5	10
H	0,3	3333	1,17	2,33	4,67	11,67	11,67
J	0,5	2000	0,70	1,40	2,80	7,00	7,00
A	1	1000	0,35	0,70	1,40	3,50	3,50
B	2	500	0,17	0,33	0,67	1,67	1,67
C	4	250	0,09	0,18	0,35	0,88	0,88



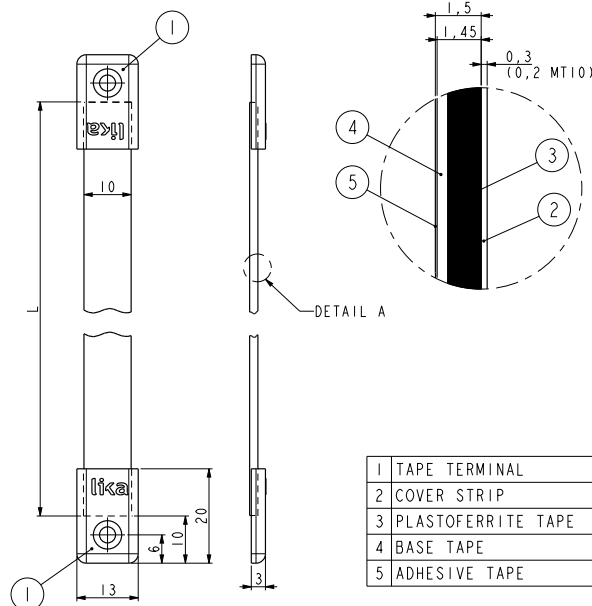
A	Reference sensor "R"
B	Dust wipers
C	Limit switch sensors
D	Diagnostic LEDs
E:	Gap/Speed error (red)
R:	Reference detection (green)
1:	Limit switch (green)
2:	Limit switch (green)

SME12



E Tape position on LKMI309/LS

LKM-1309/1 • LKM-1309/LS



1	TAPE TERMINAL
2	COVER STRIP
3	PLASTOFERRITE TAPE
4	BASE TAPE
5	ADHESIVE TAPE

MT10

Order code - Sensor

SME12	-	XX	-	X	-	XX	-	X	-	XX	-	X	/Sxxx
		(a)		(b)		(c)		(d)		(e)		(f)	(g)

<p>(a) OUTPUT CIRCUITS Y = Push-Pull (AB) YC = Push-Pull (AB, /AB) L = Line Driver (AB, /AB)</p> <p>(b) POWER SUPPLY 1 = +5Vdc ±5% (L output circuit) 2 = +10Vdc ÷ +30Vdc (Y and YC output circuit)</p>	<p>(c) RESOLUTION 10 = 0,01 mm (10 µm) 5 = 0,005 mm (5 µm) 2 = 0,002 mm (2 µm) 1 = 0,001 mm (1 µm) 05 = 0,0005 mm (0,5 µm)</p> <p>(d) INDEX R = unique reference signal</p>	<p>(e) CONNECTIONS L2 = cable output 2 m L5 = cable output 5 m Lx = cable output x m</p> <p>(f) EDGE DISTANCE (see edge distance selection) H = 0,3 µs J = 0,5 µs A = 1 µs B = 2 µs (standard value) C = 4 µs</p>
(g) CUSTOM VERSION		

Order code - Magnetic tape

MT10	-	XXX	-	XXX	-	X	-	/Sxxx
		(a)		(b)		(c)		(d)

<p>(a) LENGTH 1 = 1,0 m 20 = 20,0 m 2 = 2,0 m 30 = 30,0 m 4 = 4,0 m 50 = 50,0 m 10 = 10,0 m 100 = 100,0 m</p>	<p>(b) ACCURACY CLASS 100 = ±85 µm/m 50 = ±35 µm/m (up to 30 m) 10 = ±8 µm/m (up to 10 m)</p>	<p>(c) COVER STRIP 0 = not supplied 1 = supplied</p>
(d) CUSTOM VERSION		