

DRAW WIRE

Draw-wire support for incremental & absolute encoders

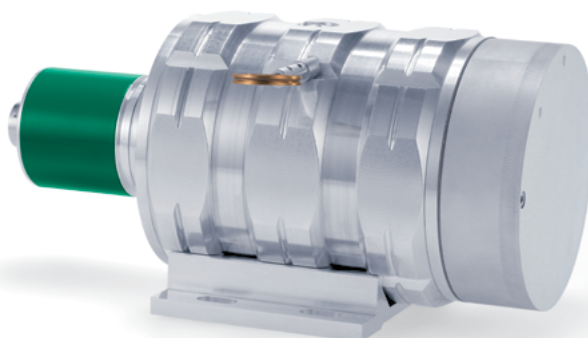
lika

Series

SBK



- From 20 to 50 m measurement length
- Robust aluminium housing
- Forced wire guidance and one-layer winding
- ATEX encoder on request
- Fits any encoders with servoflange



SBK

SUITABLE ENCODERS

I58-H-5000ZCU46RL2:	Incremental encoder, 0.1 mm resolution, cable output
I58-H-5000ZCZ46R + EPFL121:	Incremental encoder, 0.1 mm resolution, connector output
HM5818/16384-PS-6:	Programmable SSI encoder, res. up to 0,01 mm
EM58 TA:	Programmable analogue output
AM5812/4096PB-6 + CC-PB:	Profibus encoder

ENVIRONMENTAL SPECIFICATIONS

Operating temperature range:	-25° +85°C (-13°F +185°F)
Protection:	see encoder

MECHANICAL SPECIFICATIONS

Dimensions:	see drawing
Stroke per turn:	500 mm
Wire retraction force:	10 ÷ 30 N
Measuring length:	20.000, 30.000, 40.000, 50.000 mm
Measuring speed:	10 m/sec max.
Acceleration:	2 m/s ² max. (20, 30 m versions) 1 m/s ² max. (40, 50 m versions)
Linearity:	± 0,05% FS max.
Weight:	~ 12-13 kg (without encoder)

MATERIALS

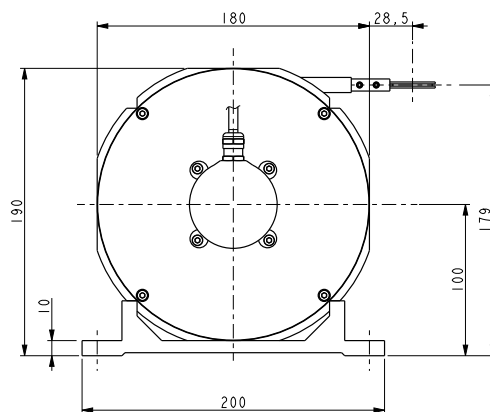
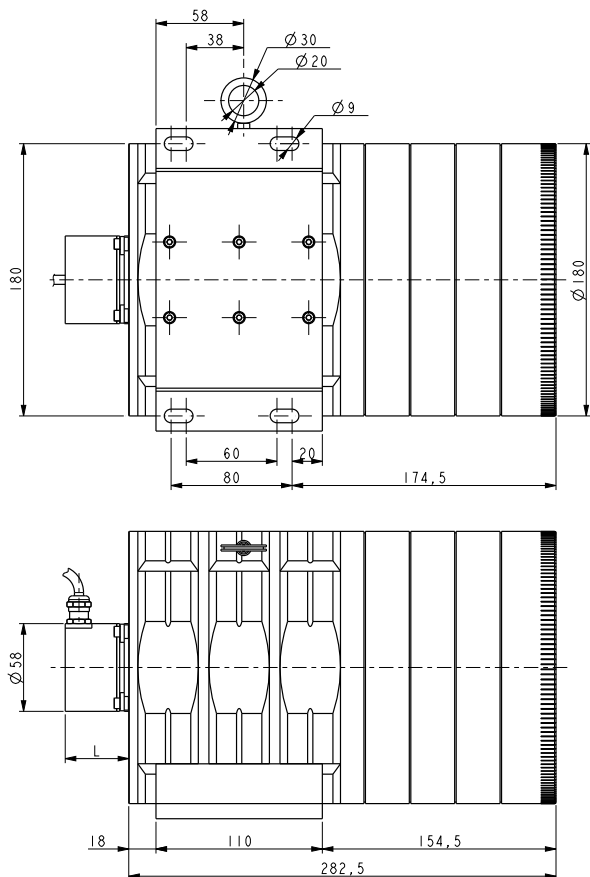
Housing:	Aluminium
Wire:	Stainless steel, ø 0,9 mm

Order code

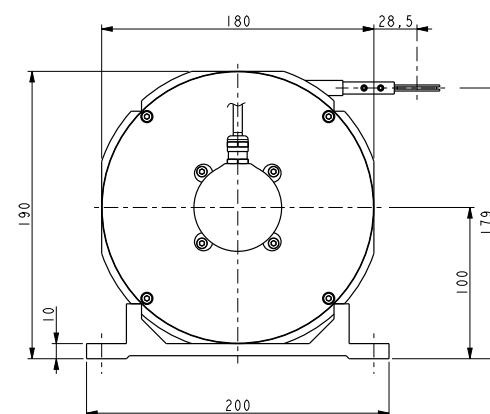
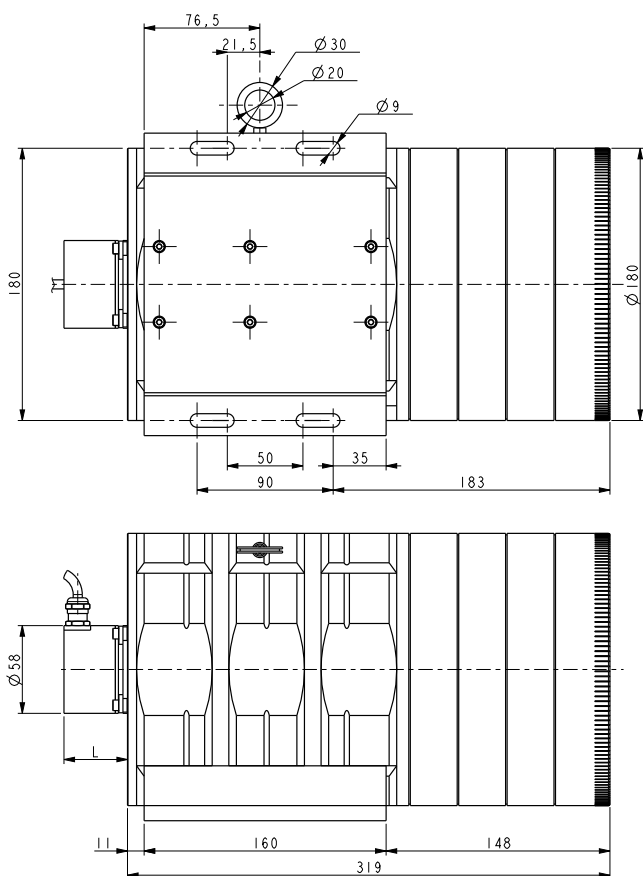
SBK	-	XXXXX ⓐ
-----	---	------------

ⓐ MEASURING LENGTH

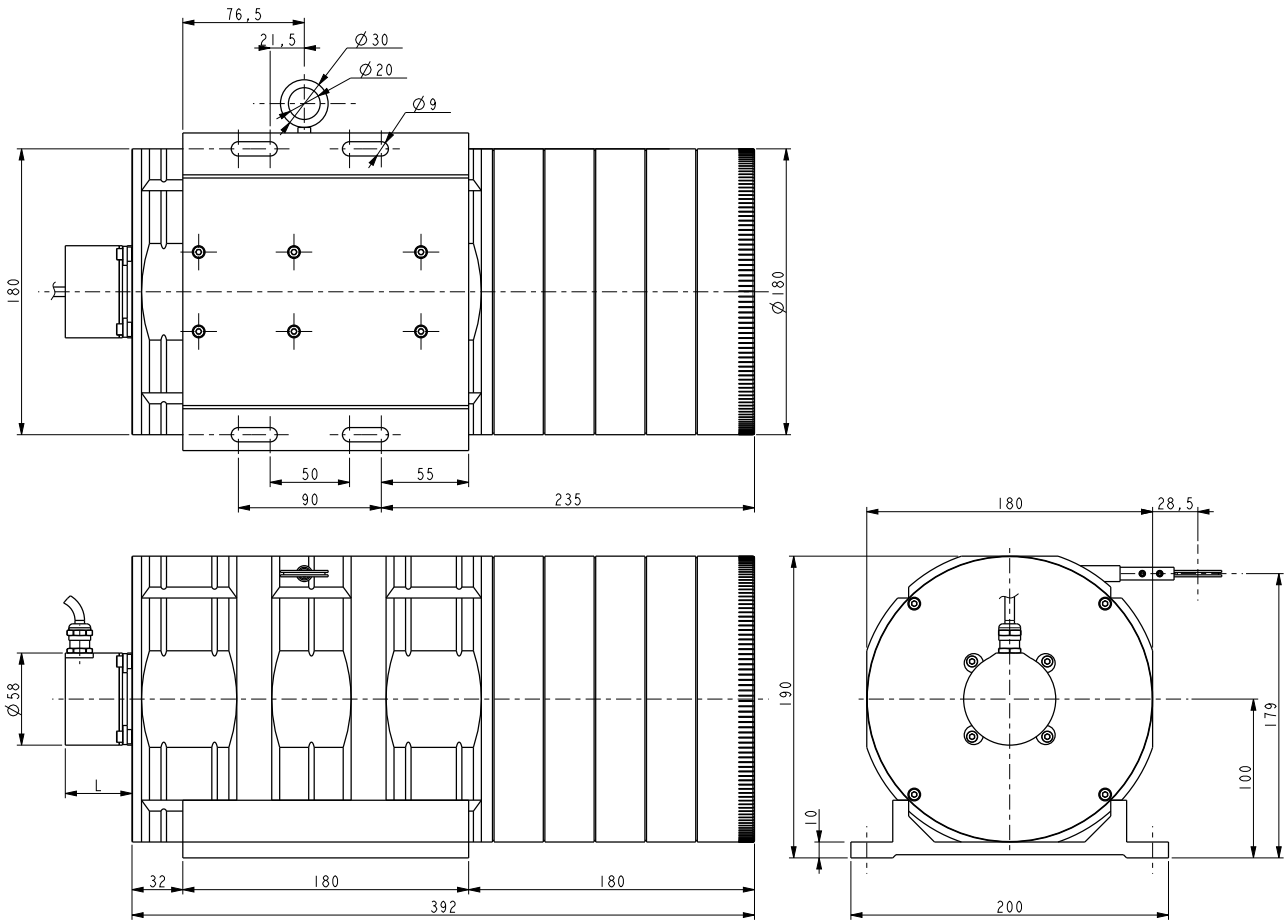
20000	= 20000 mm
30000	= 30000 mm
40000	= 40000 mm
50000	= 50000 mm



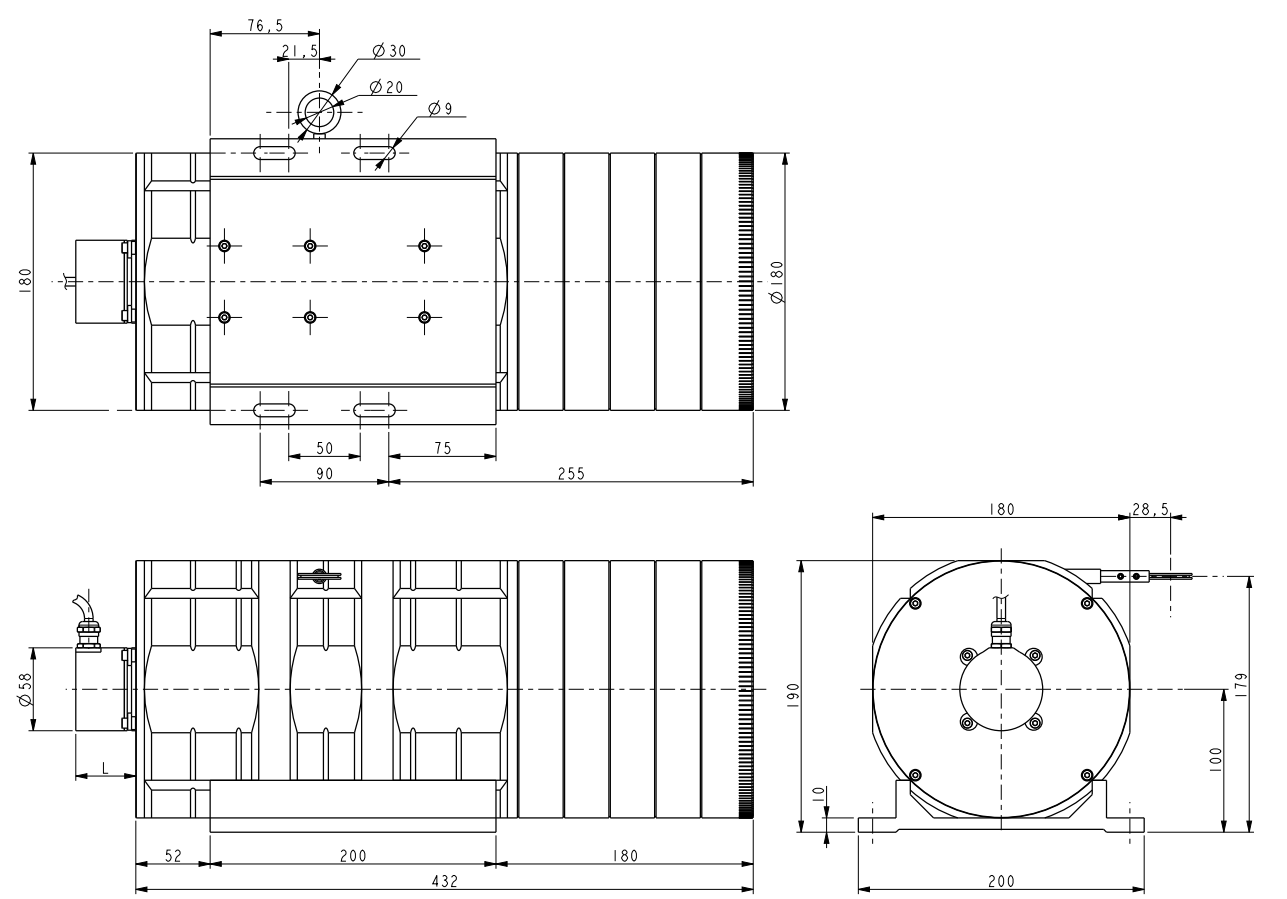
SBK-20000



SBK-30000



SBK-40000



SBK-50000